

**aquatherm**

825 West 600 North  
Lindon, UT 84042  
USA  
Phone: +1 801-805-6657

support@aquatherm.com  
www.aquatherm.com

**aquatherm GmbH**

Headquarters  
Biggen 5  
57439 Attendorn  
Germany  
Phone: +49 (0) 2722 950-0  
www.aquatherm.de



**aquatherm**  
state of the pipe

© 2022 aquatherm GmbH, aquatherm LP, and aquatherm Corp.  
All rights reserved.

2022 Edition



Printed in the USA

AQUATHERM NORTH AMERICA PARTS GUIDE 2022



# AQUATHERM NORTH AMERICA PARTS GUIDE 2022



**aquatherm**  
we've got a pipe for that

# TABLE OF CONTENTS

<b>aquatherm blue pipe®</b>	2
<b>aquatherm green pipe®</b>	7
90(s)	10
45(s)	13
22.5(s)	16
Tee(s)	18
Reducing Tee(s)	21
Couplings	29
Bushing	30
Reducing Coupling	31
Butt-Fusion Reducer	32
Fusion Outlets	33
End Caps	36
Flanges	37
Union with Brass Nut	40
Union with PP-R Nut	40
Electrofusion Coupling	41
Transition Fittings	42
Valves	52
Accessories	56
Tools	58

Note: Dimensional data for the fittings has been added to the Aquatherm Parts Guide. However, due to the ongoing expansion and improvement of the Aquatherm line, dimensions are occasionally modified to meet changing requirements or improve functionality. The online Parts Guide will provide the most current information. Please contact Aquatherm with any questions or discrepancies found between the Parts Guide and actual parts. Part numbers for configurations and fittings not shown here are available upon request.

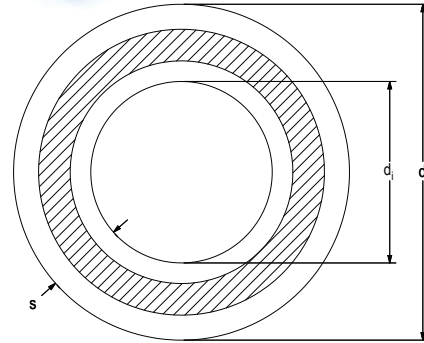
# PRODUCT RANGE - PIPE

## aquatherm blue pipe® SDR 17.6 MF RP

**Material:** Fusiole PP-RCT multi-layer, fiber-composite

**In accordance with:**

- NSF-14
- CSA-B137.11
- ICC AC 122
- ICC ESR 1613
- ASTM F 2389



**Appearance:** Blue

**NSF/APMO/ICC system certification:** Including fittings, connection pieces, and connection techniques.

**Fields of application:** Cooling distribution, condenser water, industrial applications, compressed air, and limited heating applications.

Pipe <sup>a</sup>			Diameter <sup>b</sup>	Wall thickness	Internal diameter	Water capacity	Weight <sup>c</sup>	Weight w/ water
New Part no.	Old Part no.	Dimension (ND — OD)	d (in)	s (in)	d <sub>i</sub> (in)	gal/ft	lb/ft	lb/ft
2017125024	3570128	4" — 125 mm	4.92	0.28	4.37	0.776	1.92	8.41
9793570228	3570128x2 <sup>d</sup>	4" — 125 mm	4.92	0.28	4.37	0.776	1.92	8.41
2017160026	3570130	6" — 160 mm	6.30	0.36	5.59	1.272	2.93	13.5
9793570230	3570130x2 <sup>d</sup>	6" — 160 mm	6.30	0.36	5.59	1.272	2.93	13.5
2017200028	3570134	8" — 200 mm	7.87	0.45	6.97	1.987	4.57	22.0
9793570234	3570134x2 <sup>d</sup>	8" — 200 mm	7.87	0.45	6.97	1.987	4.57	22.0
2017250030	3570138	10" — 250 mm	9.84	0.56	8.74	3.105	7.10	33.0
9793570238	3570138x2 <sup>d</sup>	10" — 250 mm	9.84	0.56	8.74	3.105	7.10	33.0
2017315032	3570142	12" — 315 mm	12.4	0.70	11.0	4.930	11.3	52.3
9793570242	3570142x2 <sup>d</sup>	12" — 315 mm	12.4	0.70	11.0	4.930	11.3	52.3
2017355034	3570144	14" — 355 mm	14.0	0.79	12.4	6.261	14.3	66.5
9793570244	3570144x2 <sup>d</sup>	14" — 355 mm	14.0	0.79	12.4	6.261	14.3	66.5
2017400036	3570146	16" — 400 mm	15.8	0.89	14.0	7.949	18.1	84.4
9793570246	3570146x2 <sup>d</sup>	16" — 400 mm	15.8	0.89	14.0	7.949	18.1	84.4
2017450038	3570148	18" — 450 mm	17.7	1.00	15.8	10.061	22.9	107
9793570248	3570148x2 <sup>d</sup>	18" — 450 mm	17.7	1.00	15.8	10.061	22.9	107
2017500040	3570150	20" — 500 mm	19.7	1.12	17.4	12.421	28.3	132
9793570250	3570150x2 <sup>d</sup>	20" — 500 mm	19.7	1.12	17.4	12.421	28.3	132
2017630042	3570154	24" — 630 mm	24.8	1.41	22.0	19.719	44.7	209
9793570254	3570154x2 <sup>d</sup>	24" — 630 mm	24.8	1.41	22.0	19.719	44.7	209

<sup>a</sup> Pipes come in standard 19 ft lengths (5.8 m). Doubles or other special lengths are available as a fabrication item.

<sup>b</sup> To calculate dimensions of the pipe in millimeters, multiply the imperial inches measurement by 25.4.

<sup>c</sup> To calculate the weight of the pipe in kg/m, multiply the measurement by 1.5.

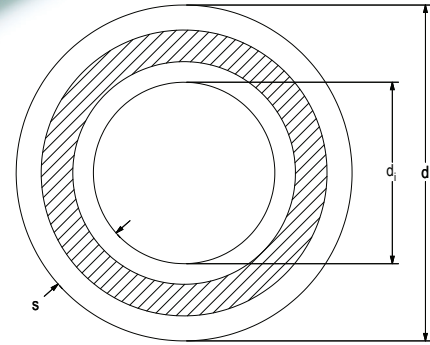
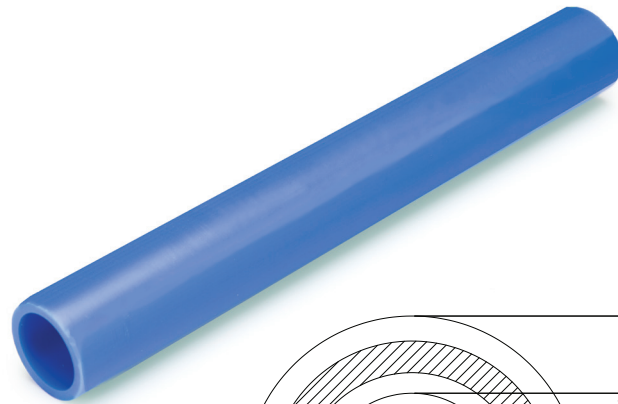
<sup>d</sup> Pipe comes in 38 ft lengths.

**aquatherm blue pipe® SDR 11 MF RP**

**Material: Fusiolen PP-RCT multi-layer, fiber-composite**

**In accordance with:**

- NSF-14
- CSA-B137.11
- ICC AC 122
- ICC ESR 1613
- ASTM F 2389



**Appearance:** Blue

**NSF system certification:** Including fittings, connection pieces, and connection techniques.

**Fields of application:** Heating and cooling applications, industrial applications, compressed air.

Pipe <sup>a</sup>			Diameter <sup>b</sup>	Wall thickness	Internal diameter	Water capacity	Weight <sup>c</sup>	Weight w/ water
New Part no.	Old Part no.	Dimension (ND — OD)	d (in)	s (in)	d <sub>i</sub> (in)	gal/ft	lb/ft	lb/ft
2012020906	2672708	½" — 20 mm SDR 7.4	0.79	0.11	0.57	0.013	0.13	0.24
2012025908	2672710	¾" — 25 mm SDR 7.4	0.98	0.13	0.71	0.021	0.20	0.37
2013032110	1970712	1" — 32 mm SDR 9	1.26	0.11	1.03	0.043	0.19	0.55
2014040912	2672114	1 ¼" — 40 mm SDR 11	1.57	0.14	1.29	0.068	0.29	0.85
2014050914	2672116	1 ½" — 50 mm SDR 11	1.97	0.18	1.61	0.106	0.45	1.33
2014063916	2672118	2" — 63 mm SDR 11	2.48	0.23	2.03	0.168	0.70	2.12
2014075918	2672120	2 ½" — 75 mm SDR 11	2.95	0.27	2.42	0.238	1.00	2.98
2014090920	2672122	3" — 90 mm SDR 11	3.54	0.32	2.90	0.343	1.44	4.29
2014110922	2672124	3 ½" — 110 mm SDR 11	4.33	0.39	3.54	0.512	2.13	6.39
2014125924	2672126	4" — 125 mm SDR 11	4.92	0.45	4.02	0.661	2.77	8.25
9792672226	2672126x2 <sup>d</sup>	4" — 125 mm SDR 11	4.92	0.45	4.02	0.661	2.77	8.25
2014160026	2071130	6" — 160 mm SDR 11	6.30	0.57	5.16	1.084	4.52	13.6
9792071230	2071130x2 <sup>d</sup>	6" — 160 mm SDR 11	6.30	0.57	5.16	1.084	4.52	13.6
2014200028	2071134	8" — 200 mm SDR 11	7.87	0.72	6.46	1.693	7.04	21.2
9792071234	2071134x2 <sup>d</sup>	8" — 200 mm SDR 11	7.87	0.72	6.46	1.693	7.04	21.2
2014250030	2071138	10" — 250 mm SDR 11	9.84	0.89	8.07	2.646	11.0	33.1
9792071238	2071138x2 <sup>d</sup>	10" — 250 mm SDR 11	9.84	0.89	8.07	2.646	11.0	33.1
2014315032	2071142	12" — 315 mm SDR 11	12.4	1.13	10.2	4.201	17.3	52.3
9792071242	2071142x2 <sup>d</sup>	12" — 315 mm SDR 11	12.4	1.13	10.2	4.201	17.3	52.3
2014355034	2071144	14" — 355 mm SDR 11	14.0	1.27	11.4	5.335	22.2	66.5
9792071244	2071144x2 <sup>d</sup>	14" — 355 mm SDR 11	14.0	1.27	11.4	5.335	22.2	66.5
2014400036	2071146 <sup>e</sup>	16" — 400 mm SDR 11	15.8	1.43	12.9	6.773	27.8	84.1
2014450038	2071148 <sup>e</sup>	18" — 450 mm SDR 11	17.7	1.61	14.5	8.573	35.2	107
The following items are supplied in coils:								
2014020306	2010308	½" — 20 mm SDR 11 (100 m or 328' length coils)	0.79	0.07	0.65	0.017	0.07	0.21
2014025308	2010310	¾" — 25 mm SDR 11 (100 m or 328' length coils)	0.98	0.09	0.81	0.026	0.11	0.33
2014032310	2010312	1" — 32 mm SDR 11 (50 m or 164' length coils)	1.26	0.11	1.03	0.043	0.17	0.53

<sup>a</sup> Pipes come in standard 19 ft lengths (5.8 m). Doubles or other special lengths are available as a fabrication item.

<sup>b</sup> To calculate dimensions of the pipe in millimeters, multiply the imperial inches measurement by 25.4.

<sup>c</sup> To calculate the weight of the pipe in kg/m, multiply the measurement by 1.5.

<sup>d</sup> Pipe comes in 38 ft lengths.

<sup>e</sup> Special order item. Please contact your sales representative for lead times.

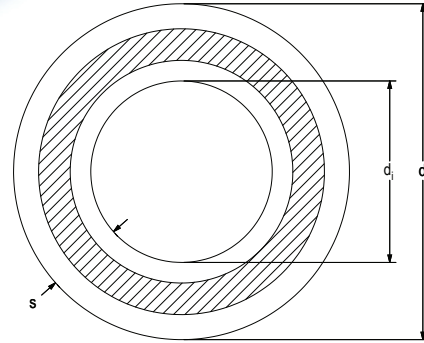
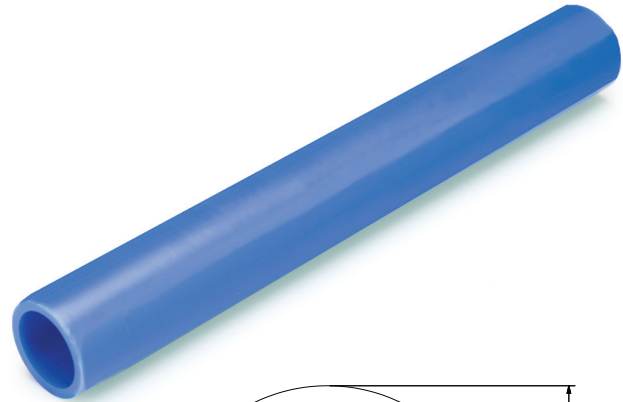
# PRODUCT RANGE - PIPE

## aquatherm blue pipe® SDR 9 MF RP

**Material:** Fusiole PP-RCT multi-layer, fiber-composite

**In accordance with:**

- NSF-14
- CSA-B137.11
- ICC AC 122
- ICC ESR 1613
- ASTM F 2389



**Appearance:** Blue

**NSF system certification:** Including fittings, connection pieces, and connection techniques.

**Fields of application:** Heating and cooling applications, industrial applications, compressed air.

Pipe <sup>a</sup>		Diameter <sup>b</sup>	Wall thickness	Internal diameter	Water capacity	Weight <sup>c</sup>	Weight w/ water	
New Part no.	Old Part no.	Dimension (ND — OD)	d (in)	s (in)	di (in)	gal/ft	lb/ft	lb/ft
2013032110	1970712	1" — 32 mm	1.26	0.14	0.98	0.039	0.22	0.55
2013040012	1970714	1 ¼" — 40 mm	1.57	0.18	1.22	0.061	0.35	0.85
2013050014	1970716	1 ½" — 50 mm	1.97	0.22	1.53	0.095	0.54	1.33
2013063016	1970718	2" — 63 mm	2.48	0.28	1.92	0.151	0.85	2.11
2013075018	1970720	2 ½" — 75 mm	2.95	0.33	2.29	0.214	1.20	2.99
2013090020	1970722	3" — 90 mm	3.54	0.40	2.75	0.308	1.73	4.30
2013110022	1970724	3 ½" — 110 mm	4.33	0.48	3.36	0.461	2.56	6.41
2013125024	1970726	4" — 125 mm	4.92	0.55	3.82	0.595	3.31	8.27
2013160026	1970730	6" — 160 mm	6.30	0.70	4.89	0.975	5.41	13.5
2013200028	1970734	8" — 200 mm	7.87	0.88	6.11	1.522	8.45	21.2
2013250030	1970738	10" — 250 mm	9.84	1.10	7.65	2.384	13.2	33.0
2013315032	1970742 <sup>d</sup>	12" — 315 mm	12.4	1.39	9.63	3.782	20.9	52.5
2013355034	1970744 <sup>d</sup>	14" — 355 mm	14.0	1.56	10.9	4.801	26.5	66.6

<sup>a</sup> Pipes come in standard 19 ft lengths (5.8 m).

<sup>b</sup> To calculate dimensions of the pipe in millimeters, multiply the imperial inches measurement by 25.4.

<sup>c</sup> To calculate the weight of the pipe in kg/m, multiply the measurement by 1.5.

<sup>d</sup> Special order item. Please contact your sales representative for lead times.

**aquatherm blue pipe® SDR 17.6 MF RP UV**

**Material:** Fusiolen PP-RCT multi-layer, faser-composite

**In accordance with:**

- NSF-14
- CSA-B137.11
- ICC AC 122
- ICC ESR 1613
- ASTM F 2389

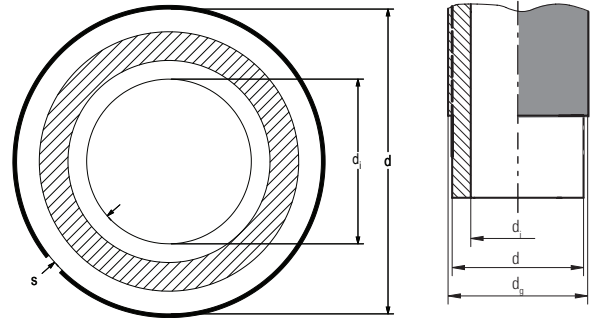


**Appearance:** Blue with black exterior.

**NSF system certification:** Including fittings, connection pieces and connection techniques.

**Fields of application:** All the same applications as the standard aquatherm blue pipe® SDR 17.6 MF RP, but for installations where the pipe is exposed to UV radiation.

**Note:** Because these parts are not stocked in large numbers, please contact Aquatherm for details about your order. Aquatherm UV Pipe available by special order only. Please contact Aquatherm for information.



Pipe <sup>a</sup>			Diameter <sup>b</sup>	Wall thickness	Internal diameter	(d) total	Water capacity	Weight <sup>c</sup>	Weight w/ water
New Part no.	Old Part no.	Dimension (ND — OD)	d (in)	s (in)	d <sub>i</sub> (in)	d <sub>o</sub> (in)	gal/ft	lb/ft	lb/ft
2217160026	2570180	6" — 160 mm	6.30	0.36	5.59	6.38	1.272	3.28	13.9
2217200028	2570184	8" — 200 mm	7.87	0.45	6.97	7.95	1.987	5.09	21.6
2217250030	2570188	10" — 250 mm	9.84	0.56	8.74	9.92	3.105	7.68	33.6
2217315032	2570192	12" — 315 mm	12.4	0.70	11.0	12.5	4.930	12.0	53.0
2217355034	2570194	14" — 355 mm	14.0	0.79	12.4	14.1	6.261	15.1	67.3
2217400036	2570196	16" — 400 mm	15.8	0.89	14.0	15.9	7.949	19.1	85.4
2217450038	2570198	18" — 450 mm	17.7	1.00	15.8	17.8	10.061	24.0	108
2217500040	2570200	20" — 500 mm	19.7	1.12	17.4	19.8	12.421	29.6	133
2217630042	2570204	24" — 630 mm	24.8	1.41	22.0	24.9	19.719	46.5	211

<sup>a</sup> Pipes come in standard 19 ft lengths (5.8 m).

<sup>b</sup> To calculate dimensions of the pipe in millimeters, multiply the imperial inches measurement by 25.4.

<sup>c</sup> To calculate the weight of the pipe in kg/m, multiply the measurement by 1.5.

# PRODUCT RANGE - PIPE

## aquatherm blue pipe® SDR 11 MF RP UV

**Material:** Fusiole PP-RCT multi-layer, fiber-composite

**In accordance with:**

- NSF-14
- CSA-B137.11
- ICC AC 122
- ICC ESR 1613
- ASTM F 2389

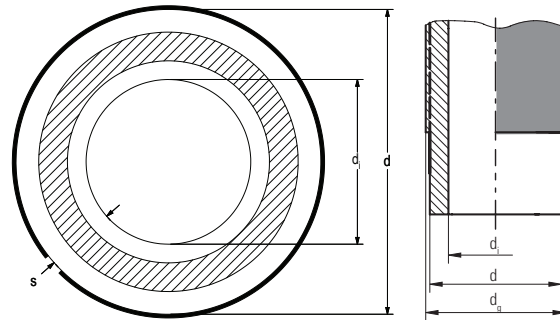


**Appearance:** Blue with black exterior.

**NSF system certification:** Including fittings, connection pieces and connection techniques.

**Fields of application:** All the same applications as the standard aquatherm blue pipe® SDR 11 MF RP, but for installations where the pipe is exposed to UV radiation.

**Note:** Because these parts are not stocked in large numbers, please contact Aquatherm for details about your order.



Pipe <sup>a</sup>			Diameter <sup>b</sup>	Wall thickness	Internal diameter	(d) total	Water capacity	Weight <sup>c</sup>	Weight w/ water
New Part no.	Old Part no.	Dimension (ND — OD)	d (in)	s (in)	d <sub>i</sub> (in)	d <sub>o</sub> (in)	gal/ft	lb/ft	lb/ft
2212020006	2070758	½" — 20 mm SDR 7.4	0.79	0.11	0.57	0.87	0.013	0.14	0.25
2212025008	2070760	¾" — 25 mm SDR 7.4	0.98	0.14	0.71	1.06	0.024	0.21	0.38
2214032010	2070162	1" — 32 mm SDR 9	1.26	0.11	1.03	1.34	0.043	0.23	0.59
2214040012	2070164	1 ¼" — 40 mm SDR 11	1.57	0.14	1.29	1.65	0.067	0.37	0.93
2214050014	2070166	1 ½" — 50 mm SDR 11	1.97	0.18	1.61	2.05	0.105	0.55	1.43
2214063016	2070168	2" — 63 mm SDR 11	2.48	0.23	2.03	2.56	0.167	0.84	2.24
2214075018	2070170	2 ½" — 75 mm SDR 11	2.95	0.27	2.42	3.03	0.237	1.15	3.13
2214090020	2070172	3" — 90 mm SDR 11	3.54	0.32	2.90	3.62	0.343	1.67	4.52
2214110022	2070174	3 ½" — 110 mm SDR 11	4.33	0.39	3.54	4.41	0.512	2.48	6.74
2214125024	2070176	4" — 125 mm SDR 11	4.92	0.45	4.02	5.00	0.661	3.14	8.62
2214160026	2070180	6" — 160 mm SDR 11	6.30	0.57	5.16	6.38	1.082	5.05	14.1
2214200028	2070184	8" — 200 mm SDR 11	7.87	0.72	6.46	7.95	1.692	7.67	21.8
2214250030	2070188	10" — 250 mm SDR 11	9.84	0.89	8.07	9.92	2.646	11.9	34.0
2214315032	2070192	12" — 315 mm SDR 11	12.4	1.13	10.2	12.5	4.201	18.0	53.0
2214355034	2070194	14" — 355 mm SDR 11	14.0	1.27	11.4	14.1	5.335	30.0	67.3

<sup>a</sup> Pipes come in standard 19 ft lengths (5.8 m).

<sup>b</sup> To calculate dimensions of the pipe in millimeters, multiply the imperial inches measurement by 25.4.

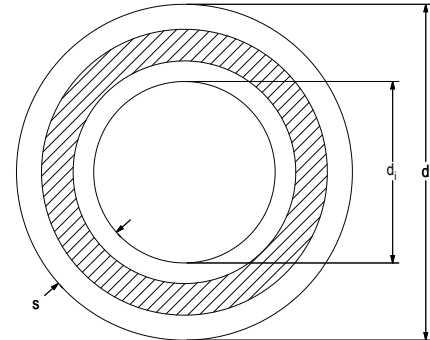
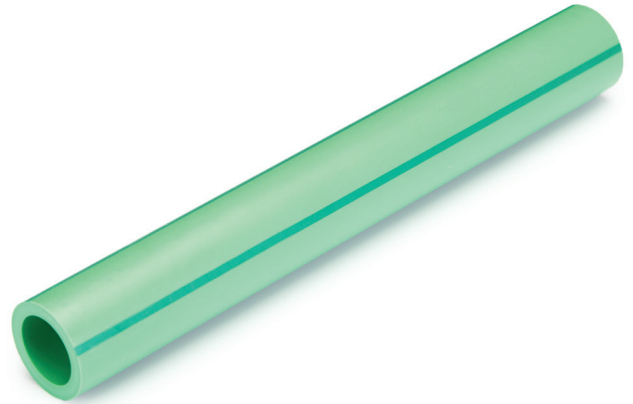
<sup>c</sup> To calculate the weight of the pipe in kg/m, multiply the measurement by 1.5.

**aquatherm green pipe® SDR 7.4 MF**

**Material:** Fusiolen PP-R multi-layer, fiber-composite

**In accordance with:**

- NSF 14, 51 & 61
- CSA-B137.11
- ICC AC 122
- ICC ESR 1613
- ASTM F2389
- CFIA #A508
- NFPA 13D



**Appearance:** Light green with dark green stripe.

**NSF system certification:** Including fittings, connection pieces, and connection techniques.

**Fields of application:** For high temperature, moderate pressure systems, particularly domestic hot water systems.

Pipe <sup>a</sup>			Diameter <sup>b</sup>	Wall thickness	Internal diameter	Water capacity	Weight <sup>c</sup>	Weight w/ water
New Part no.	Old Part no.	Dimension (ND — OD)	d (in)	s (in)	d <sub>i</sub> (in)	gal/ft	lb/ft	lb/ft
1012020906	0670708	½" — 20 mm	0.79	0.11	0.57	0.013	0.11	0.22
1012025908	0670710	¾" — 25 mm	0.98	0.14	0.71	0.021	0.17	0.34
1012032910	0670712	1" — 32 mm	1.26	0.17	0.91	0.034	0.27	0.56
1012040912	0670714	1 ¼" — 40 mm	1.57	0.22	1.14	0.054	0.41	0.84
1012050914	0670716	1 ½" — 50 mm	1.97	0.27	1.43	0.084	0.64	1.31
1012063916	0670718	2" — 63 mm	2.48	0.34	1.80	0.134	1.00	2.11
1012075918	0670720	2 ½" — 75 mm	2.95	0.41	2.14	0.189	1.42	3.00
1012090920	0670722	3" — 90 mm	3.54	0.48	2.57	0.273	2.04	4.31
1012110922	0670724	3 ½" — 110 mm	4.33	0.59	3.14	0.407	3.04	7.33
1012125924	0670726	4" — 125 mm	4.92	0.67	3.57	0.526	4.17	8.55
1012160926	0670730	6" — 160 mm	6.30	0.86	4.57	0.862	6.55	13.8
9790670830	0670730x2 <sup>d</sup>	6" — 160 mm	6.30	0.86	4.57	0.862	6.55	13.8
1012200928	0670734	8" — 200 mm	7.87	1.08	5.72	1.347	10.1	21.3
9790670834	0670734x2 <sup>d</sup>	8" — 200 mm	7.87	1.08	5.72	1.347	10.1	21.3
1012250930	0670738	10" — 250 mm	9.84	1.35	7.15	2.105	15.8	33.2
9790670838	0670738x2 <sup>d</sup>	10" — 250 mm	9.84	1.35	7.15	2.105	15.8	33.2

<sup>a</sup> Pipes come in standard 19 ft lengths (5.8 m). Doubles or other special lengths are available as a fabrication item.

<sup>b</sup> To calculate dimensions of the pipe in millimeters, multiply the imperial inches measurement by 25.4.

<sup>c</sup> To calculate the weight of the pipe in kg/m, multiply the measurement by 1.5.

<sup>d</sup> Pipe comes in 38 ft lengths.



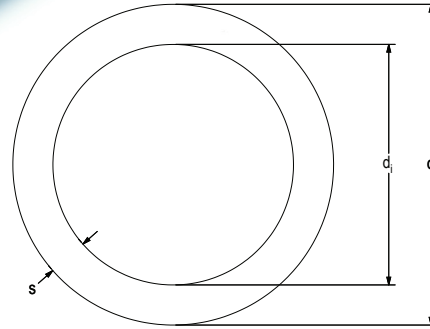
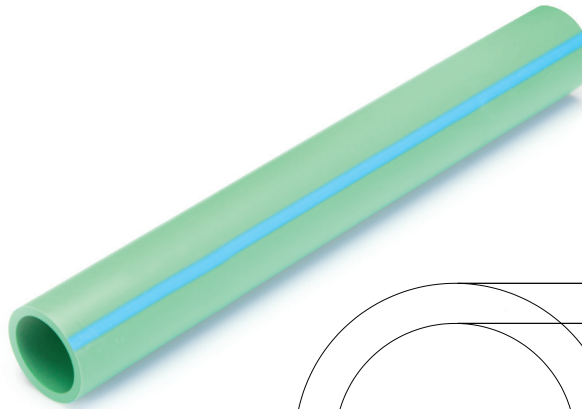
# PRODUCT RANGE - PIPE

## aquatherm green pipe® SDR 11 S

**Material:** Fusiolen PP-R

**In accordance with:**

- NSF-14
- NSF-51
- NSF-61
- CSA-B137.11
- ICC AC 122
- ICC ESR 1613
- ASTM F 2389
- CFIA #A508



**Appearance:** Light green with light blue stripe.

**NSF system certification:** Including fittings, connection pieces, and connection techniques.

**Fields of application:** Potable water, preferably domestic cold. Low pressure installations, such as well casings, food processing, and more.

Pipe <sup>a</sup>			Diameter <sup>b</sup>	Wall thickness	Internal diameter	Water capacity	Weight <sup>c</sup>	Weight w/ water
New Part no.	Old Part no.	Dimension (ND — OD)	d (in)	s (in)	d <sub>i</sub> (in)	gal/ft	lb/ft	lb/ft
1014032910	0610212	1" — 32 mm SDR 11	1.26	0.11	1.03	0.043	0.18	0.54
1014040912	0610214	1 ¼" — 40 mm SDR 11	1.57	0.15	1.28	0.068	0.28	0.84
1014050914	0610216	1 ½" — 50 mm SDR 11	1.97	0.18	1.61	0.106	0.43	1.31
1014063916	0610218	2" — 63 mm SDR 11	2.48	0.23	2.02	0.168	0.68	2.08
1014075918	0610220	2 ½" — 75 mm SDR 11	2.95	0.27	2.42	0.238	0.95	2.93
1014090920	0610222	3" — 90 mm SDR 11	3.54	0.32	2.90	0.343	1.37	4.22
1014125924	0610226	4" — 125 mm SDR 11	4.92	0.45	4.02	0.661	2.64	8.12
9790610326	0610226x2 <sup>e</sup>	4" — 125 mm SDR 11	4.92	0.45	4.02	0.661	2.64	8.12
1014160926	0610230	6" — 160 mm SDR 11	6.30	0.57	5.15	1.084	4.31	13.3
9790610330	0610230x2 <sup>e</sup>	6" — 160 mm SDR 11	6.30	0.57	5.15	1.084	4.31	13.3
1014200928	0610234	8" — 200 mm SDR 11	7.87	0.72	6.44	1.693	6.71	20.9
9790610334	0610234x2 <sup>e</sup>	8" — 200 mm SDR 11	7.87	0.72	6.44	1.693	6.70	20.9
1014250930	0610238	10" — 250 mm SDR 11	9.84	0.89	8.06	2.646	10.4	32.5
9790610338	0610238x2 <sup>e</sup>	10" — 250 mm SDR 11	9.84	0.89	8.06	2.646	10.4	32.5
1014315032	0010242	12" — 315 mm SDR 11	12.4	1.13	10.2	4.201	17.3	52.3
9790010342	0010242x2 <sup>e</sup>	12" — 315 mm SDR 11	12.4	1.13	10.2	4.201	17.3	52.3
The following items are supplied in coils:								
1014020306	0010308	½" — 20 mm SDR 11 (100m or 328' length coils)	0.79	0.07	0.64	0.017	0.07	0.21
1014025308	0010310	¾" — 25 mm SDR 11 (100m or 328' length coils)	0.98	0.09	0.80	0.026	0.11	0.33
1014032310	0010312	1" — 32 mm SDR 11 (50 m or 164' length coils)	1.26	0.11	1.03	0.043	0.17	0.53

<sup>a</sup> Pipe comes in standard 19 ft lengths (5.8 m). Doubles or other special lengths are available as a fabrication item.

<sup>b</sup> To calculate dimensions of the pipe in millimeters, multiply the imperial inches measurement by 25.4.

<sup>c</sup> To calculate the weight of the pipe in kg/m, multiply the measurement by 1.5.

<sup>d</sup> Mechanically stabilized with multi-layer, fiber-composite (MF) technology in the center of the pipe.

<sup>e</sup> Pipe comes in 38 ft lengths.

**aquatherm green pipe® SDR 7.4 MF UV**

**Material:** Fusiolen PP-R multi-layer, faser-composite

**In accordance with:**

- NSF-14
- NSF-51
- NSF-61
- CSA-B137.11
- ICC AC 122
- ICC ESR 1613
- ASTM F 2389
- CFIA #A508

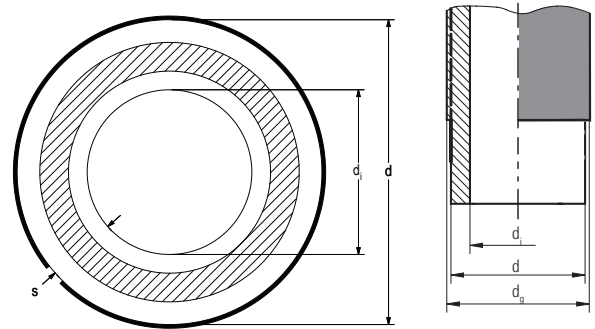


**Appearance:** Light green with black exterior.

**NSF system certification:** Including fittings, connection pieces and connection techniques.

**Fields of application:** All the same applications as the standard **aquatherm green pipe® SDR 7.4 MF**, but for installations where the pipe is exposed to UV radiation.

**Note:** Because these parts are not stocked in large numbers, please contact Aquatherm for details about your order. Pipe will not have NA listing marks on it, but can be special ordered with the marking. Aquatherm UV Pipe available by special order only. Please contact Aquatherm for information.



Pipe <sup>a</sup>			Diameter <sup>b</sup>	Wall thickness	Internal diameter	(d) total	Water capacity	Weight <sup>c</sup>	Weight w/ water
New Part no.	Old Part no.	Dimension (ND — OD)	d (in)	s (in)	d <sub>i</sub> (in)	d <sub>g</sub> (in)	gal/ft	lb/ft	lb/ft
1212020006	0070758	½" — 20 mm	0.79	0.11	14.4	0.87	0.013	0.14	0.25
1212025008	0070760	¾" — 25 mm	0.98	0.14	18.0	1.06	0.021	0.21	0.38
1212032010	0070762	1" — 32 mm	1.26	0.17	23.2	1.34	0.034	0.33	0.60
1212040012	0070764	1 ¼" — 40 mm	1.57	0.22	29.0	1.65	0.054	0.49	0.92
1212050014	0070766	1 ½" — 50 mm	1.97	0.27	36.2	2.05	0.084	0.74	1.41
1212063016	0070768	2" — 63 mm	2.48	0.34	45.8	2.56	0.134	1.14	2.20
1212075018	0070770	2 ½" — 75 mm	2.95	0.41	54.4	3.03	0.189	1.59	3.09
1212090020	0070772	3" — 90 mm	3.54	0.48	65.4	3.62	0.273	2.28	4.46
1212110022	0070774	3 ½" — 110 mm	4.33	0.59	79.8	4.45	0.407	3.42	6.66
1212125024	0070776	4" — 125 mm	4.92	0.67	90.8	5.00	0.526	4.33	8.53
1212160026	0070780	6" — 160 mm	6.30	0.86	116.2	6.38	0.826	7.00	13.9
1212200028	0070784	8" — 200 mm	7.87	1.08	145.2	7.95	1.347	10.8	21.7
1212250030	0070788	10" — 250 mm	9.84	1.35	181.6	9.92	2.105	16.8	34.0

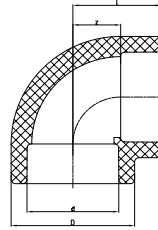
<sup>a</sup> Pipes come in standard 19 ft lengths (5.8 m).

<sup>b</sup> To calculate dimensions of the pipe in millimeters, multiply the imperial inches measurement by 25.4.

<sup>c</sup> To calculate the weight of the pipe in kg/m, multiply the measurement by 1.5.

# PRODUCT RANGE - 90(s)

## aquatherm ELBOW 90° (MOLDED, SOCKET)

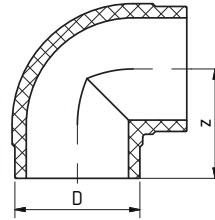


New Part no.	Old Part no.	Dimension (ND — OD)	d	z	l	D	Weight
			[in]	[in]	[in]	[in]	[lb]
1080020900	0112108	½" — 20 mm	0.79	0.43	1.00	1.16	0.04
1080025901	0112110	¾" — 25 mm	0.98	0.53	1.16	1.34	0.05
1080032902	0112112	1" — 32 mm	1.26	0.67	1.38	1.69	0.09
1080040903	0112114	1 ¼" — 40 mm	1.57	0.83	1.63	2.05	0.17
1080050904	0112116	1 ½" — 50 mm	1.97	1.02	1.95	2.68	0.36
1080063905	0112118	2" — 63 mm	2.48	1.28	2.36	3.31	0.65
1080075906	0112120	2 ½" — 75 mm	2.95	1.52	2.70	3.94	0.98
1080090907	0112122	3" — 90 mm	3.54	1.81	3.11	4.72	1.61
1080110908	0112124	3 ½" — 110 mm	4.33	2.20	3.66	5.79	2.85
1080125909	0112126	4" — 125 mm	4.92	3.01	4.59	6.57	4.42

## aquatherm ELBOW 90° SR (SHORT RADIUS, MOLDED, BUTT-FUSION)

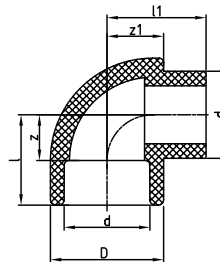
The length of some fittings may not accommodate all butt-fusion equipment.

**NOTE: Verify the equipment to be used is compatible with the fittings when ordering.**



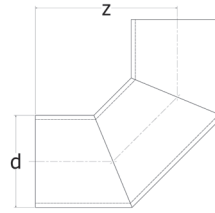
SDR	New Part no.	Old Part No.	Dimension (ND — OD)	D	z	Weight
				[in]	[in]	[lb]
17.6	2087160021	2512130	6" — 160 mm	6.30	5.71	3.62
	2087200023	2512134	8" — 200 mm	7.87	8.23	6.45
	2087250025	2512138	10" — 250 mm	9.84	9.45	11.8
11	1084160911	0112131	6" — 160 mm	6.30	5.71	5.65
	1084200913	0112135	8" — 200 mm	7.87	8.23	9.26
	1084250915	0112139	10" — 250 mm	9.84	9.45	16.9
9	1083160070	0312130	6" — 160 mm	6.30	5.71	5.23
	1083200071	0312134	8" — 200 mm	7.87	6.88	10.9
	1083250072	0312138	10" — 250 mm	9.84	8.63	19.8
7.4	1082160910	0112130	6" — 160 mm	6.30	5.71	5.65

## aquatherm STREET 90° female/male



New Part no.	Old Part no.	Dimension (ND — OD)	d	z	l	D	l1	z1	Weight
			[in]	[in]	[in]	[in]	[in]	[in]	[lb]
1080020916	0112308	½" — 20 mm	0.79	0.43	1.00	1.16	1.00	0.59	0.04
1080025917	0112310	¾" — 25 mm	0.98	0.53	1.16	1.34	1.16	0.67	0.05
1080032918	0112312	1" — 32 mm	1.26	0.67	1.38	1.69	1.54	0.85	0.10
1080040919	0112314	1 ¼" — 40 mm	1.57	0.83	1.63	2.05	1.79	1.02	0.18

**aquatherm blue pipe® ELBOW 90° SD (STANDARD DIMENSION, SEGMENTED, BUTT-FUSION)**

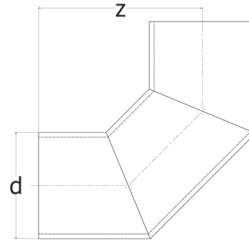


SDR	New Part no.	Old Part no.	Dimension (ND — OD)	d	z	Weight
				[in]	[in, +0.25/-0.0]	[lb]
17.6	9797462130	7462130	6" — 160 mm	6.30	9.00	4.25
	9797462134	7462134	8" — 200 mm	7.87	12.0	8.25
	9797462138	7462138	10" — 250 mm	9.84	15.0	15.8
	9797462142	7462142	12" — 315 mm	12.4	18.0	30.0
	9797462144	7462144	14" — 355 mm	14.0	21.0	44.0
	9797462146	7462146	16" — 400 mm	15.8	24.0	63.0
	9797462148	7462148	18" — 450 mm	17.8	27.0	90.0
	9797462150	7462150	20" — 500 mm	19.7	30.0	123
9797462154	7462154	24" — 630 mm	24.8	36.0	233	
11	9797562130	7562130	6" — 160 mm	6.30	9.00	6.25
	9797562134	7562134	8" — 200 mm	7.87	12.0	12.5
	9797562138	7562138	10" — 250 mm	9.84	15.0	24.3
	9797562142	7562142	12" — 315 mm	12.4	18.0	46.0
	9797562144	7562144	14" — 355 mm	14.0	21.0	67.0
	9797562146	7562146	16" — 400 mm	15.8	24.0	97.0
	9797562148	7562148	18" — 450 mm	17.7	27.0	138
9	9797212130	7212130	6" — 160 mm	6.30	9.00	11.4
	9797212134	7212134	8" — 200 mm	7.87	12.0	19.2
	9797212138	7212138	10" — 250 mm	9.84	15.0	45.5
	9797212142	7212142	12" — 315 mm	12.4	18.0	54.3
	9797212144	7212144	14" — 355 mm	14.0	21.0	80.4

UV Coated fittings available upon request. Contact your Aquatherm Regional Sales Manager for pricing and availability.

# PRODUCT RANGE - 90(s)

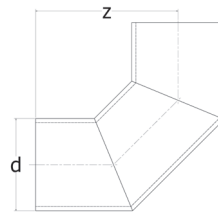
## aquatherm green pipe® ELBOW 90° SD (STANDARD DIMENSION, SEGMENTED, BUTT-FUSION)



SDR	New Part no.	Old Part no.	Dimension (ND — OD)	d	z	Weight
				[in]	[in, +0.25/-0.0]	[lb]
11 Non- Faser	9797112130	7112130	6" — 160 mm	6.30	9.00	6.00
	9797112134	7112134	8" — 200 mm	7.87	12.0	12.3
	9797112138	7112138	10" — 250 mm	9.84	15.0	23.8
	9797112142	7112142	12" — 315 mm	12.4	18.0	44.0
	9797112144	7112144	14" — 355 mm	14.0	21.0	65.0
	9797112146	7112146*	16" — 400 mm	15.8	24.0	94.0
	9797112148	7112148*	18" — 450 mm	17.7	27.0	133

\*Mechanically stabilized with multi-layer, faser-composite (MF) technology in the center of the pipe wall.  
UV Coated fittings available upon request. Contact your Aquatherm Regional Sales Manager for pricing and availability.

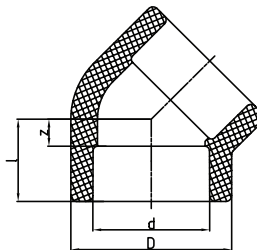
## aquatherm green pipe® ELBOW 90° SD (STANDARD DIMENSION, SEGMENTED, BUTT-FUSION)



SDR	New Part no.	Old Part no.	Dimension (ND — OD)	d	z	Weight
				[in]	[in, +0.25/-0.0]	[lb]
7.4 Faser	9797312130	7312130	6" — 160 mm	6.30	9.00	8.75
	9797312134	7312134	8" — 200 mm	7.87	12.0	18.3
	9797312138	7312138	10" — 250 mm	9.84	15.0	35.0

UV Coated fittings available upon request. Contact your Aquatherm Regional Sales Manager for pricing and availability.

**aquatherm ELBOW 45° (MOLDED, SOCKET)**

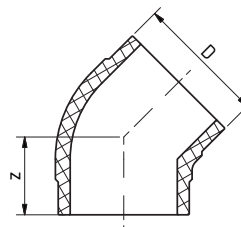


New Part no.	Old Part no.	Dimension (ND — OD)	d	z	l	D	Weight
			[in]	[in]	[in]	[in]	[lb]
1080020920	0112508	½" — 20 mm	0.79	0.20	0.77	1.16	0.03
1080025921	0112510	¾" — 25 mm	0.98	0.24	0.87	1.34	0.04
1080032922	0112512	1" — 32 mm	1.26	0.30	1.00	1.69	0.08
1080040923	0112514	1 ¼" — 40 mm	1.57	0.37	1.18	2.05	0.12
1080050924	0112516	1 ½" — 50 mm	1.97	0.45	1.38	2.68	0.25
1080063925	0112518	2" — 63 mm	2.48	0.55	1.63	3.31	0.50
1080075926	0112520	2 ½" — 75 mm	2.95	0.65	1.83	3.94	0.77
1080090927	0112522	3" — 90 mm	3.54	0.77	2.07	4.72	1.25
1080110928	0112524	3 ½" — 110 mm	4.33	0.93	2.38	5.79	2.26
1080125929	0112526	4" — 125 mm	4.92	1.06	2.64	6.57	2.93

**aquatherm ELBOW 45° (MOLDED, BUTT-FUSION)**

The length of some fittings may not accommodate all butt-fusion equipment.

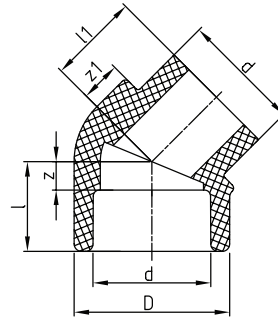
**NOTE: Verify the equipment to be used is compatible with the fittings when ordering.**



SDR	New Part no.	Old Part No.	Dimension (ND — OD)	D	z	Weight
				[in]	[in]	[lb]
17.6	2087160020	2512530	6" — 160 mm	6.30	3.74	2.38
	2087200022	2512534	8" — 200 mm	7.87	5.75	4.52
	2087250024	2512538	10" — 250 mm	9.84	7.17	8.82
11	1084160931	0112531	6" — 160 mm	6.30	3.74	3.07
	1084200933	0112535	8" — 200 mm	7.87	5.75	6.64
	1084250935	0112539	10" — 250 mm	9.84	7.17	13.0
9	1083160030	0312530	6" — 160 mm	6.30	3.74	3.36
	1083200031	0312534	8" — 200 mm	7.87	5.75	7.86
	1083250032	0312538	10" — 250 mm	9.84	7.17	15.3
7.4	1082160930	0112530	6" — 160 mm	6.30	3.74	4.20

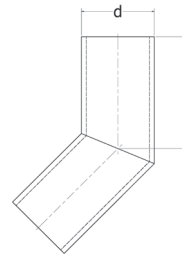
# PRODUCT RANGE - 45(s) MOLDED

## aquatherm STREET 45° female/male



New Part no.	Old Part no.	Dimension (ND — OD)	d	z	l	D	l1	z1	Weight
			[in]	[in]	[in]	[in]	[in]	[in]	[lb]
1080020936	0112708	½" — 20 mm	0.79	0.20	0.77	1.16	0.77	0.35	0.03
1080025937	0112710	¾" — 25 mm	0.98	0.24	0.87	1.34	0.87	0.33	0.04
1080032938	0112712	1" — 32 mm	1.26	0.30	1.00	1.69	1.12	0.45	0.08
1080040939	0112714	1 ¼" — 40 mm	1.57	0.37	1.18	2.05	1.20	0.53	0.13

## aquatherm blue pipe® ELBOW 45° SD (SEGMENTED, BUTT-FUSION)



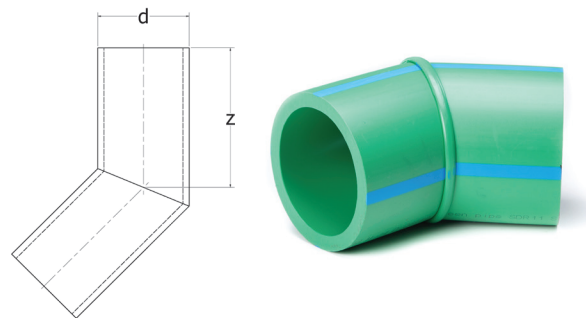
SDR	New Part no.	Old Part no.	Dimension (ND — OD)	d	z	Weight
				[in]	[in, +0.25/-0.0]	
17.6	9797462530	7462530*	6" — 160 mm	6.30	7.44	4.00
	9797462534	7462534*	8" — 200 mm	7.87	9.94	4.25
	9797462538	7462538	10" — 250 mm	9.84	6.25	8.00
	9797462542	7462542	12" — 315 mm	12.4	7.50	15.0
	9797462544	7462544	14" — 355 mm	14.0	8.75	22.0
	9797462546	7462546	16" — 400 mm	15.8	10.0	31.0
	9797462548	7462548	18" — 450 mm	17.7	11.3	44.0
	9797462550	7462550	20" — 500 mm	19.7	12.5	60.0
	9797462554	7462554	24" — 630 mm	24.8	15.0	114
11	9797562530	7562530*	6" — 160 mm	6.30	7.44	6.00
	9797562534	7562534*	8" — 200 mm	7.87	9.94	6.25
	9797562538	7562538	10" — 250 mm	9.84	6.25	12.0
	9797562542	7562542	12" — 315 mm	12.4	7.50	22.0
	9797562544	7562544	14" — 355 mm	14.0	8.75	33.0
	9797562546	7562546	16" — 400 mm	15.8	10.0	48.0
	9797562548	7562548	18" — 450 mm	17.7	11.3	67.0
9	9797212530	7212530	6" — 160 mm	6.30	7.44	6.71
	9797212534	7212534	8" — 200 mm	7.87	9.94	14.0
	9797212538	7212538	10" — 250 mm	9.84	6.25	13.7
	9797212542	7212542	12" — 315 mm	12.4	7.50	26.1
	9797212544	7212544	14" — 355 mm	14.0	8.75	38.7

\*Made with the Z-value of the ANSI B16.9 3D fittings with a larger Z-value.

UV Coated fittings available upon request. Contact your Aquatherm Regional Sales Manager for pricing and availability.

## PRODUCT RANGE - 45(s) SEGMENTED

### aquatherm green pipe® ELBOW 45° (SEGMENTED, BUTT-FUSION)



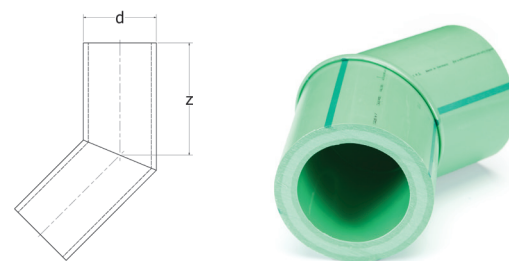
SDR	New Part no.	Old Part no.	Dimension (ND — OD)	d	z	Weight
				[in]	[in, +0.25/-0.0]	[lb]
11 Non- Faser	9797112530	7112530 <sup>a</sup>	6" — 160 mm	6.30	7.44	5.75
	9797112534	7112534 <sup>a</sup>	8" — 200 mm	7.87	9.94	6.00
	9797112538	7112538	10" — 250 mm	9.84	6.25	11.3
	9797112542	7112542	12" — 315 mm	12.4	7.50	21.0
	9797112544	7112544	14" — 355 mm	14.0	8.75	32.0
	9797112546	7112546 <sup>b</sup>	16" — 400 mm	15.8	10.0	46.0
	9797112548	7112548 <sup>b</sup>	18" — 450 mm	17.7	11.3	65.0

<sup>a</sup>Made with the Z-value of the ANSI B16.9 3D fittings with a larger Z-value.

<sup>b</sup>Mechanically stabilized with multi-layer, faser-composite (MF) technology in the center of the pipe wall.

UV Coated fittings available upon request. Contact your Aquatherm Regional Sales Manager for pricing and availability.

### aquatherm green pipe® ELBOW 45° (SEGMENTED, BUTT-FUSION)



SDR	New Part no.	Old Part no.	Dimension (ND — OD)	d	z	Weight
				[in]	[in, +0.25/-0.0]	[lb]
7.4 Faser	9797312530	7312530 <sup>a</sup>	6" — 160 mm	6.30	7.44	8.50
	9797312534	7312534 <sup>a</sup>	8" — 200 mm	7.87	9.94	9.00
	9797312538	7312538	10" — 250 mm	9.84	6.25	17.0

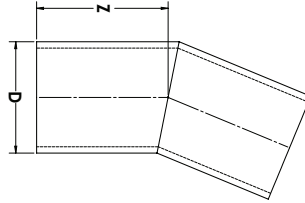
<sup>a</sup>Made with the Z-value of the ANSI B16.9 3D fittings with a larger Z-value.

UV Coated fittings available upon request. Contact your Aquatherm Regional Sales Manager for pricing and availability.



# PRODUCT RANGE - 22.5(s)

## aquatherm blue pipe® ELBOW 22.5° SD (STANDARD DIMENSION, SEGMENTED, BUTT-FUSION)

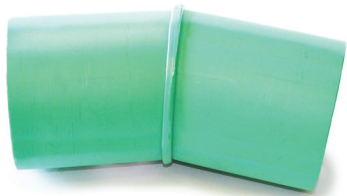
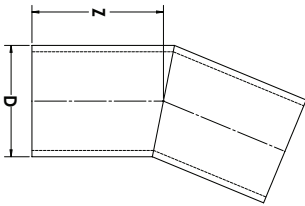


SDR	New Part no.	Old Part no.	Dimension (ND — OD)	D	z	Weight
				[in]	[in, +0.25/-0.0]	[lb]
17.6	9797412230	7412230 <sup>a</sup>	6" — 160 mm	6.30	7.44	4.00
	9797412234	7412234 <sup>a</sup>	8" — 200 mm	7.87	9.94	4.25
	9797412238	7412238	10" — 250 mm	9.84	6.25	8.00
	9797412242	7412242	12" — 315 mm	12.4	7.50	15.0
	9797412244	7412244	14" — 355 mm	14.0	8.75	22.0
	9797412246	7412246	16" — 400 mm	15.8	10.0	31.0
	9797412248	7412248	18" — 450 mm	17.8	11.3	44.0
	9797412250	7412250	20" — 500 mm	19.7	12.5	60.0
	9797412254	7412254	24" — 630 mm	24.8	15.0	114
11	9797512230	7512230 <sup>a</sup>	6" — 160 mm	6.30	7.44	6.00
	9797512234	7512234 <sup>a</sup>	8" — 200 mm	7.87	9.94	6.25
	9797512238	7512238	10" — 250 mm	9.84	6.25	12.0
	9797512242	7512242	12" — 315 mm	12.4	7.50	22.0
	9797512244	7512244	14" — 355 mm	14.0	8.75	33.0
	9797512246	7512246	16" — 400 mm	15.8	10.0	48.0
	9797512248	7512248	18" — 450 mm	17.7	11.3	67.0
9	9797212230	7212230 <sup>a</sup>	6" — 160 mm	6.30	7.44	6.71
	9797212234	7212234 <sup>a</sup>	8" — 200 mm	7.87	9.94	14.0
	9797212238	7212238	10" — 250 mm	9.84	6.25	13.7
	9797212242	7212242	12" — 315 mm	12.4	7.50	26.1
	9797212244	7212244	14" — 355 mm	14.0	8.75	38.7

<sup>a</sup>Made with the Z-value of the ANSI B16.9 3D fittings with a larger Z-value.

UV Coated fittings available upon request. Contact your Aquatherm Regional Sales Manager for pricing and availability.

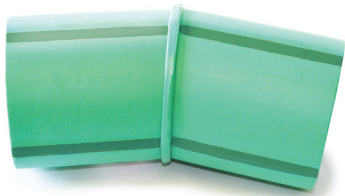
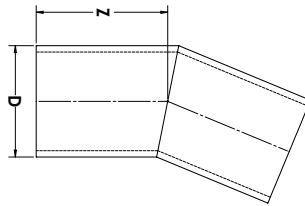
**aquatherm green pipe® ELBOW 22.5° SD (STANDARD DIMENSION, SEGMENTED, BUTT-FUSION)**



SDR	New Part no.	Old Part no.	Dimension (ND — OD)	D	z	Weight
				[in]	[in, +0.25/-0.0]	[lb]
11 Non-Faser	9797112230	7112230 <sup>a</sup>	6" — 160 mm	6.30	7.44	5.75
	9797112234	7112234 <sup>a</sup>	8" — 200 mm	7.87	9.94	6.00
	9797112238	7112238	10" — 250 mm	9.84	6.25	11.3
	9797112242	7112242	12" — 315 mm	12.4	7.50	21.0

<sup>a</sup>Made with the Z-value of the ANSI B16.9 3D fittings with a larger Z-value.  
 UV Coated fittings available upon request. Contact your Aquatherm Regional Sales Manager for pricing and availability.

**aquatherm green pipe® ELBOW 22.5° SD (STANDARD DIMENSION, SEGMENTED, BUTT-FUSION)**



SDR	New Part no.	Old Part no.	Dimension (ND — OD)	D	z	Weight
				[in]	[in, +0.25/-0.0]	[lb]
7.4 Faser	9797312230	7312230 <sup>a</sup>	6" — 160 mm	6.30	7.44	8.50
	9797312234	7312234 <sup>a</sup>	8" — 200 mm	7.87	9.94	9.00
	9797312238	7312238	10" — 250 mm	9.84	6.25	17.0

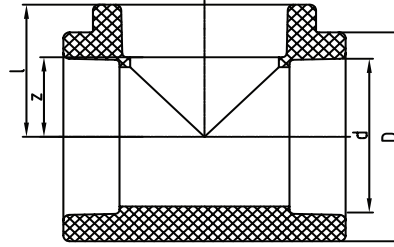
<sup>a</sup>Made with the Z-value of the ANSI B16.9 3D fittings with a larger Z-value.  
 UV Coated fittings available upon request. Contact your Aquatherm Regional Sales Manager for pricing and availability.

# PRODUCT RANGE - TEE(s) (MOLDED)

## aquatherm TEE (MOLDED, SOCKET)

The length of some fittings may not fit all bench-top fusion equipment.

**NOTE: Verify the equipment to be used is compatible with the fittings when ordering.**

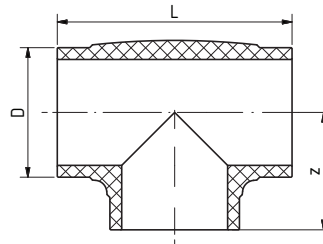


New Part no.	Old Part no.	Dimension (ND — OD)	d	z	l	D	Weight
			[in]	[in]	[in]	[in]	[lb]
1060020900	0113108	½" — 20 mm	0.79	0.43	1.00	1.16	0.05
1060025901	0113110	¾" — 25 mm	0.98	0.59	1.22	1.34	0.07
1060032902	0113112	1" — 32 mm	1.26	0.67	1.38	1.69	0.12
1060040903	0113114	1 ¼" — 40 mm	1.57	0.79	1.59	2.05	0.22
1060050904	0113116	1 ½" — 50 mm	1.97	1.02	1.95	2.68	0.39
1060063905	0113118	2" — 63 mm	2.48	1.28	2.36	3.31	0.81
1060075906	0113120	2 ½" — 75 mm	2.95	1.52	2.70	3.94	1.19
1060090907	0113122	3" — 90 mm	3.54	1.81	3.11	4.72	2.03
1060110908	0113124	3 ½" — 110 mm	4.33	2.20	3.66	5.79	3.52
1060125909	0113126	4" — 125 mm	4.92	3.01	4.59	6.57	5.89

## aquatherm TEE (MOLDED, BUTT-FUSION)

The length of some fittings may not accommodate all butt-fusion equipment.

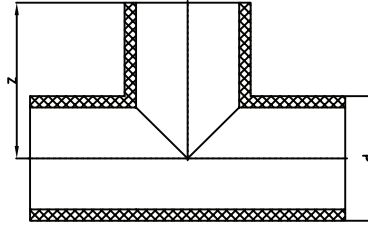
**NOTE: Verify the equipment to be used is compatible with the fittings when ordering.**



SDR	New Part no.	Old Part No.	Dimension (ND — OD)	d	z	L	Weight
				[in]	[in]	[in]	[lb]
17.6	2067160010	2513130	6" — 160 mm	6.30	5.71	11.4	5.18
	2067200011	2513134	8" — 200 mm	7.87	8.07	16.1	8.87
	2067250012	2513138	10" — 250 mm	9.84	9.57	19.1	17.2
11	1064160911	0113131	6" — 160 mm	6.30	5.71	11.4	5.18
	1064200913	0113135	8" — 200 mm	7.87	8.07	16.1	12.6
	1064250915	0113139	10" — 250 mm	9.84	9.57	19.1	24.1
9	1063160019	0313130	6" — 160 mm	6.30	5.71	11.4	7.25
	1063200020	0313134	8" — 200 mm	7.87	8.07	16.1	14.8
	1063250021	0313138	10" — 250 mm	9.84	9.57	19.1	28.1
7.4	1062160910	0113130	6" — 160 mm	6.30	5.71	11.4	7.94

# PRODUCT RANGE - TEE(S) SEGMENTED

## aquatherm blue pipe® TEE (SEGMENTED, BUTT-FUSION)

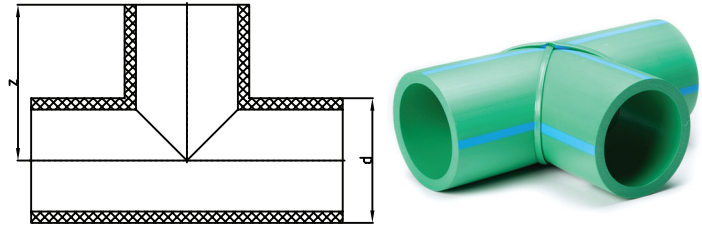


SDR	New Part no.	Old Part No.	Dimension (ND — OD)	d	z	Weight
				[in]	[in, +0.25/-0.0]	lb/pc
17.6	9797563130	7563130	6" — 160 mm	6.30	9.06	6.25
	9797563134	7563134	8" — 200 mm	7.87	11.8	10.3
	9797563138	7563138	10" — 250 mm	9.84	14.8	25.0
	9797563142	7563142	12" — 315 mm	12.4	18.1	48.0
	9797563144	7563144	14" — 355 mm	14.0	18.9	63.0
	9797563146	7563146	16" — 400 mm	15.8	19.7	82.0
	9797563148	7563148	18" — 450 mm	17.7	20.7	108
	9797563150	7563150	20" — 500 mm	19.7	23.6	152
	9797563154	7563154	24" — 630 mm	24.1	26.2	265
11	9792663131	2663131	6" — 160 mm	6.30	9.06	9.05
	9792663135	2663135	8" — 200 mm	7.87	11.8	15.8
	9792663139	2663139	10" — 250 mm	9.84	14.8	38.5
	9792063143	2063143	12" — 315 mm	12.4	18.1	74.0
	9792063145	2063145	14" — 355 mm	14.0	18.9	97.0
	9792063147	2063147	16" — 400 mm	15.8	19.7	127
	9792063149	2063149	18" — 450 mm	17.7	20.7	166
9	9790813130	0813130	6" — 160 mm	6.30	9.06	10.8
	9790813134	0813134	8" — 200 mm	7.87	11.8	24.9
	9790813138	0813138	10" — 250 mm	9.84	14.8	48.7
	9790813142	0813142	12" — 315 mm	12.4	18.1	94.6
	9790813144	0813144	14" — 355 mm	14.0	18.9	125.4

UV Coated fittings available upon request. Contact your Aquatherm Regional Sales Manager for pricing and availability.

# PRODUCT RANGE - TEE(S) SEGMENTED

## aquatherm green pipe® TEE (SEGMENTED, BUTT-FUSION)

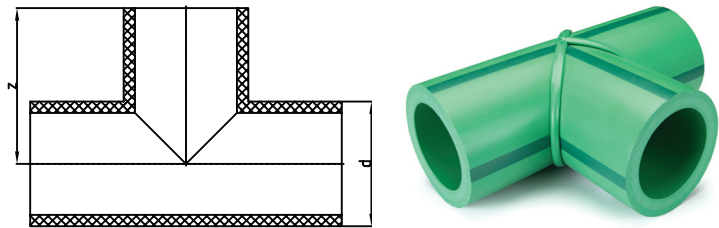


SDR	New Part no.	Old Part no.	Dimension (ND — OD)	d	z	Weight
				[in]	[in, +0.25/-0.0]	[lb]
11 Non- Faser	9797113131	7113131	6" — 160 mm	6.30	9.06	8.63
	9797113135	7113135	8" — 200 mm	7.87	11.8	15.0
	9797113139	7113139	10" — 250 mm	9.84	14.8	36.5
	9797113143	7113143	12" — 315 mm	12.4	18.1	71.0
	9797113145	7113145	14" — 355 mm	14.0	18.9	93.0
	9797113147	7113147 <sup>a</sup>	16" — 400 mm	15.8	19.7	122
	9797113149	7113149 <sup>a</sup>	18" — 450 mm	17.7	20.7	159

<sup>a</sup> Mechanically stabilized with multi-layer, faser-composite (MF) technology in the center of the pipe.

UV Coated fittings available upon request. Contact your Aquatherm Regional Sales Manager for pricing and availability.

## aquatherm green pipe® TEE (SEGMENTED, BUTT-FUSION)

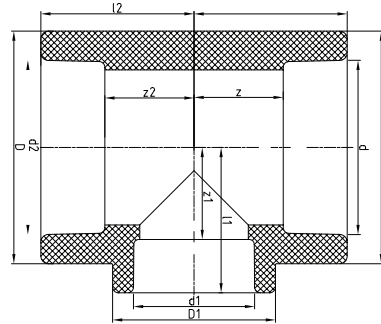


SDR	New Part no.	Old Part no.	Dimension (ND — OD)	d	z	Weight
				[in]	[in, +0.25/-0.0]	[lb]
7.4 Faser	9797113130	7113130	6" — 160 mm	6.30	9.06	13.1
	9797113134	7113134	8" — 200 mm	7.87	11.8	22.5
	9797113138	7113138	10" — 250 mm	9.84	14.8	55.5

UV Coated fittings available upon request. Contact your Aquatherm Regional Sales Manager for pricing and availability.

**aquatherm REDUCING TEE (MOLDED, SOCKET)** (inlet, outlet, branch)

The length of some fittings may not fit all bench-top fusion equipment.



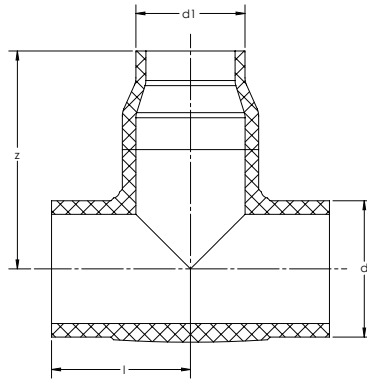
New Part no.	Old Part no.	Dimension (ND — OD)	d	d1	d2	l	l1	l2	z	z1	z2	D	D1	Weight
			[in]	[in]	[in]	[in]	[in]	[in]	[in]	[in]	[in]	[in]	[in]	[in]
1060020920	0113511	½" x ½" x ¾" — 20 x 20 x 25 mm	0.79	0.98	0.79	1.22	1.20	1.22	0.65	0.57	0.65	1.34	1.34	0.09
1060025921	0113520	¾" x ½" x ½" — 25 x 20 x 20 mm	0.98	0.79	0.79	1.22	1.20	1.22	0.65	0.63	0.65	1.34	1.34	0.08
1060025922	0113522	¾" x ¾" x ½" — 25 x 25 x 20 mm	0.98	0.79	0.98	1.22	1.20	1.22	0.65	0.63	0.65	1.34	1.34	0.08
1060032924	0113532	1" x ½" x ½" — 32 x 20 x 20 mm	1.26	0.79	0.79	1.44	1.46	1.44	0.74	0.89	0.74	1.69	1.69	0.17
1060032925	0113534	1" x 1" x ½" — 32 x 32 x 20 mm	1.26	0.79	1.26	1.38	1.22	1.38	0.67	0.65	0.67	1.69	1.16	0.12
1060032926	0113538	1" x ¾" x ¾" — 32 x 25 x 25 mm	1.26	0.98	0.98	1.38	1.36	1.38	0.67	0.73	0.67	1.69	1.69	0.15
1060032927	0113540	1" x 1" x ¾" — 32 x 32 x 25 mm	1.26	0.98	1.26	1.38	1.36	1.38	0.67	0.73	0.67	1.69	1.69	0.11
1060040928	0113542	1 ¼" x 1 ¼" x ½" — 40 x 40 x 20 mm	1.57	0.79	1.57	1.63	1.42	1.63	0.83	0.85	0.83	2.05	1.34	0.20
1060040929	0113544	1 ¼" x 1 ¼" x ¾" — 40 x 40 x 25 mm	1.57	0.98	1.57	1.63	1.42	1.63	0.83	0.79	0.83	2.05	1.34	0.20
1060040930	0113546	1 ¼" x 1 ¼" x 1" — 40 x 40 x 32 mm	1.57	1.26	1.57	1.65	1.59	1.65	0.85	0.89	0.85	2.05	2.05	0.20
1060050931	0113547	1 ½" x 1 ½" x ½" — 50 x 50 x 20 mm	1.97	0.79	1.97	1.95	1.59	1.95	1.02	1.02	1.02	2.68	1.16	0.36
1060050932	0113548	1 ½" x 1 ½" x ¾" — 50 x 50 x 25 mm	1.97	0.98	1.97	1.95	1.75	1.95	1.02	1.12	1.02	2.68	1.69	0.35
1060050933	0113550	1 ½" x 1 ½" x 1" — 50 x 50 x 32 mm	1.97	1.26	1.97	1.95	1.75	1.95	1.02	1.04	1.02	2.68	1.69	0.35
1060050934	0113551	1 ½" x 1 ½" x 1 ¼" — 50 x 50 x 40 mm	1.97	1.57	1.97	1.95	1.95	1.95	1.02	1.14	1.02	2.68	2.68	0.36
1060063935	0113552	2" x 2" x ½" — 63 x 63 x 20 mm	2.48	0.79	2.48	2.36	1.91	2.36	1.28	1.34	1.28	3.31	1.34	0.74
1060063936	0113554	2" x 2" x ¾" — 63 x 63 x 25 mm	2.48	0.98	2.48	2.36	1.91	2.36	1.28	1.28	1.28	3.31	1.34	0.73
1060063937	0113556	2" x 2" x 1" — 63 x 63 x 32 mm	2.48	1.26	2.48	2.36	2.11	2.36	1.28	1.40	1.28	3.31	2.05	0.75
1060063938	0113558	2" x 2" x 1 ¼" — 63 x 63 x 40 mm	2.48	1.57	2.48	2.36	2.11	2.36	1.28	1.30	1.28	3.31	2.05	0.73
1060063939	0113560	2" x 2" x 1 ½" — 63 x 63 x 50 mm	2.48	1.97	2.48	2.36	2.36	2.36	1.28	1.44	1.28	3.31	3.31	0.88
1060075940	0113561	2 ½" x 2 ½" x ½" — 75 x 75 x 20 mm	2.95	0.79	2.95	2.70	2.15	2.70	1.52	1.57	1.52	3.94	1.34	1.10
1060075941	0113562	2 ½" x 2 ½" x ¾" — 75 x 75 x 25 mm	2.95	0.98	2.95	2.70	2.15	2.70	1.52	1.52	1.52	3.94	1.34	1.10
1060075942	0113564	2 ½" x 2 ½" x 1" — 75 x 75 x 32 mm	2.95	1.26	2.95	2.70	2.32	2.70	1.52	1.61	1.52	3.94	2.05	1.11
1060075943	0113566	2 ½" x 2 ½" x 1 ¼" — 75 x 75 x 40 mm	2.95	1.57	2.95	2.70	2.32	2.70	1.52	1.52	1.52	3.94	2.05	1.10
1060075944	0113568	2 ½" x 2 ½" x 1 ½" — 75 x 75 x 50 mm	2.95	1.97	2.95	2.70	2.60	2.70	1.52	1.67	1.52	3.94	3.31	1.21
1060075945	0113570	2 ½" x 2 ½" x 2" — 75 x 75 x 63 mm	2.95	2.48	2.95	2.70	2.60	2.70	1.52	1.52	1.52	3.94	3.31	1.13
1060090946	0113576	3" x 3" x 1" — 90 x 90 x 32 mm	3.54	1.26	3.54	3.11	2.56	3.11	1.81	1.85	1.81	4.72	2.05	1.94
1060090947	0113578	3" x 3" x 1 ¼" — 90 x 90 x 40 mm	3.54	1.57	3.54	3.11	2.56	3.11	1.81	1.75	1.81	4.72	2.05	1.90
1060090948	0113580	3" x 3" x 1 ½" — 90 x 90 x 50 mm	3.54	1.97	3.54	3.11	2.95	3.11	1.81	2.03	1.81	4.72	3.31	2.00
1060090949	0113582	3" x 3" x 2" — 90 x 90 x 63 mm	3.54	2.48	3.54	3.11	2.95	3.11	1.81	1.87	1.81	4.72	3.31	1.93
1060090950	0113584	3" x 3" x 2 ½" — 90 x 90 x 75 mm	3.54	2.95	3.54	3.11	3.19	3.11	1.81	2.01	1.81	4.72	4.72	2.18
1060110951	0113586	3 ½" x 3 ½" x 2" — 110 x 110 x 63 mm	4.33	2.48	4.33	3.66	3.44	3.66	2.20	2.36	2.20	5.79	4.33	3.44
1060110952	0113588	3 ½" x 3 ½" x 2 ½" — 110 x 110 x 75 mm	4.33	2.95	4.33	3.66	3.44	3.66	2.20	2.26	2.20	5.79	4.33	3.33
1060110953	0113590	3 ½" x 3 ½" x 3" — 110 x 110 x 90 mm	4.33	3.54	4.33	3.66	3.50	3.66	2.20	2.20	2.20	5.79	4.72	3.41
1060125954	0113592	4" x 4" x 2 ½" — 125 x 125 x 75 mm	4.92	2.95	4.92	4.59	4.19	4.59	3.01	3.01	3.01	6.57	3.94	5.35
1060125955	0113594	4" x 4" x 3" — 125 x 125 x 90 mm	4.92	3.54	4.92	4.59	4.31	4.59	3.01	3.01	3.01	6.57	4.72	5.53
1060125956	0113596	4" x 4" x 3 ½" — 125 x 125 x 110 mm	4.92	4.33	4.92	4.59	4.47	4.59	3.01	3.01	3.01	6.57	5.79	5.65

Please note that the descriptions above provide the dimensions following the North American norm (run x run x branch), but the packaging may follow the European norm (run x branch x run). The part number is the same regardless.

# PRODUCT RANGE - REDUCING TEE(s)

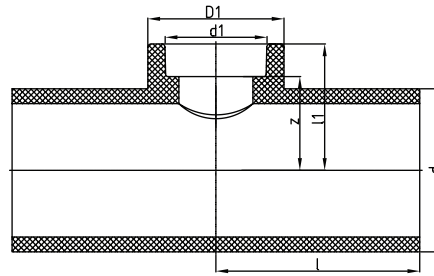
## aquatherm REDUCING TEE (MOLDED, BUTT-FUSION)

**NOTE: Verify the equipment to be used is compatible with the fittings when ordering.**



SDR	New Part no.	Old Part No.	Dimension (ND — OD)	d	d1	z	l	Weight
				[in]	[in]	[in]	[in]	lb/pc
17.6	9792523604	2523604	6" x 6" x 4" - 160 x 160 x 125 mm	6.30	4.92	8.37	5.71	6.23
	9792523618	2523618	8" x 8" x 6" - 200 x 200 x 160 mm	7.87	6.30	12.6	8.07	11.7
	9792523634	2523634	10" x 10" x 6" - 250 x 250 x 160 mm	9.84	6.30	15.6	9.57	22.2
	9792523640	2523640	10" x 10" x 8" - 250 x 250 x 200 mm	9.84	7.87	15.6	9.57	22.6
11	9792623605	2623605	6" x 6" x 4" - 160 x 160 x 125 mm	6.30	4.92	8.37	5.71	7.93
	9792623619	2623619	8" x 8" x 6" - 200 x 200 x 160 mm	7.87	6.30	12.6	8.07	16.4
	9792623635	2623635	10" x 10" x 6" - 250 x 250 x 160 mm	9.84	6.30	15.6	9.57	31.0
	9792623641	2623641	10" x 10" x 8" - 250 x 250 x 200 mm	9.84	7.87	15.6	9.57	31.5
9	9790823604	0823604	6" x 6" x 4" - 160 x 160 x 125 mm	6.30	4.92	8.37	5.71	9.04
	9790823618	0823618	8" x 8" x 6" - 200 x 200 x 160 mm	7.87	6.30	12.6	8.07	19.0
	9790823634	0823634	10" x 10" x 6" - 250 x 250 x 160 mm	9.84	6.30	15.6	9.57	35.9
	9790823640	0823640	10" x 10" x 8" - 250 x 250 x 200 mm	9.84	7.87	15.6	9.57	36.6
7.4	9790213604	0213604	6" x 6" x 4" - 160 x 160 x 125 mm	6.30	4.92	8.37	5.71	9.95

aquatherm blue pipe® REDUCING TEE (OUTLET) (inlet, outlet, branch)



SDR	New Part no.	Old Part no.	Dimension (ND — OD)	d	d1	l	l1	z	D1	Weight
				[in]	[in]	[in]	[in]	[in]	[in]	[lb]
17.6	9792563600	2563600	6" x 6" x 2 1/2" — 160 x 160 x 75 mm	6.30	2.95	9.06	4.80	3.62	3.94	4.91
	9792563602	2563602	6" x 6" x 3" — 160 x 160 x 90 mm	6.30	3.54	9.06	4.92	3.62	4.27	5.21
	9792563608	2563608	8" x 8" x 2 1/2" — 200 x 200 x 75 mm	7.87	2.95	11.8	5.59	4.41	3.94	7.98
	9792563610	2563610	8" x 8" x 3" — 200 x 200 x 90 mm	7.87	3.54	11.8	5.71	4.41	4.27	8.25
	9792563612	2563612	8" x 8" x 3 1/2" — 200 x 200 x 110 mm	7.87	4.33	11.8	5.87	4.41	5.79	8.77
	9792563614	2563614	8" x 8" x 4" — 200 x 200 x 125 mm	7.87	4.92	11.8	6.10	4.53	6.57	9.41
	9792563624	2563624	10" x 10" x 2 1/2" — 250 x 250 x 75 mm	9.84	2.95	14.8	6.57	5.39	3.94	18.0
	9792563626	2563626	10" x 10" x 3" — 250 x 250 x 90 mm	9.84	3.54	14.8	6.69	5.39	4.27	18.3
	9792563628	2563628	10" x 10" x 3 1/2" — 250 x 250 x 110 mm	9.84	4.33	14.8	6.85	5.39	5.79	18.8
	9792563630	2563630	10" x 10" x 4" — 250 x 250 x 125 mm	9.84	4.92	14.8	7.09	5.51	6.57	19.8
	9792563651	2563651	12" x 12" x 4" — 315 x 315 x 125 mm	12.4	4.92	18.1	8.39	6.81	6.57	38.7
	9792563653	2563653 <sup>a</sup>	12" x 12" x 6" — 315 x 315 x 160 mm	12.4	-	18.1	9.37	-	6.30	36.8
	9792563663	2563663	14" x 14" x 4" — 355 x 355 x 125 mm	14.0	4.92	18.9	9.17	7.60	6.57	47.4
	9792563665	2563665 <sup>a</sup>	14" x 14" x 6" — 355 x 355 x 160 mm	14.0	-	18.9	10.2	-	6.30	47.4
	9792563667	2563667 <sup>a</sup>	14" x 14" x 8" — 355 x 355 x 200 mm	14.0	-	18.9	10.5	-	7.87	48.3
	9792563676	2563676	16" x 16" x 4" — 400 x 400 x 125 mm	15.8	4.92	19.7	10.0	8.46	6.57	61.1
	9792563678	2563678 <sup>a</sup>	16" x 16" x 6" — 400 x 400 x 160 mm	15.8	-	19.7	11.0	-	6.30	65.5
	9792563680	2563680 <sup>a</sup>	16" x 16" x 8" — 400 x 400 x 200 mm	15.8	-	19.7	11.0	-	7.87	65.5
	9792563682	2563682 <sup>a</sup>	16" x 16" x 10" — 400 x 400 x 250 mm	15.8	-	19.7	11.0	-	9.84	63.9
	9792563690	2563690	18" x 18" x 4" — 450 x 450 x 125 mm	17.7	4.92	20.7	11.0	9.45	6.57	80.4
	9792563692	2563692 <sup>a</sup>	18" x 18" x 6" — 450 x 450 x 160 mm	17.7	-	20.7	12.0	-	6.30	81.6
	9792563694	2563694 <sup>a</sup>	18" x 18" x 8" — 450 x 450 x 200 mm	17.7	-	20.7	12.0	-	7.87	81.6
	9792563696	2563696 <sup>a</sup>	18" x 18" x 10" — 450 x 450 x 250 mm	17.7	-	20.7	12.0	-	9.84	81.6
	9792563698	2563698 <sup>a</sup>	18" x 18" x 12" — 450 x 450 x 315 mm	17.7	-	20.7	12.4	-	12.4	81.6
	9792563804	2563804	20" x 20" x 4" — 500 x 500 x 125 mm	19.7	4.92	23.6	12.0	10.4	6.57	113
	9792563806	2563806 <sup>a</sup>	20" x 20" x 6" — 500 x 500 x 160 mm	19.7	-	23.6	13.0	-	6.30	118
	9792563808	2563808 <sup>a</sup>	20" x 20" x 8" — 500 x 500 x 200 mm	19.7	-	23.6	13.0	-	7.87	118
	9792563810	2563810 <sup>a</sup>	20" x 20" x 10" — 500 x 500 x 250 mm	19.7	-	23.6	13.0	-	9.84	118
	9792563812	2563812 <sup>a</sup>	20" x 20" x 12" — 500 x 500 x 315 mm	19.7	-	23.6	13.3	-	12.4	119
	9792563839	2563839	24" x 24" x 4" — 630 x 630 x 125 mm	24.8	4.92	26.2	14.6	13.0	6.57	197
9792563841	2563841 <sup>a</sup>	24" x 24" x 6" — 630 x 630 x 160 mm	24.8	-	26.2	15.7	-	6.30	202	
9792563843	2563843 <sup>a</sup>	24" x 24" x 8" — 630 x 630 x 200 mm	24.8	-	26.2	15.7	-	7.87	202	
9792563845	2563845 <sup>a</sup>	24" x 24" x 10" — 630 x 630 x 250 mm	24.8	-	26.2	15.7	-	9.84	202	
9792563847	2563847 <sup>a</sup>	24" x 24" x 12" — 630 x 630 x 315 mm	24.8	-	26.2	16.1	-	12.4	204	

<sup>a</sup>Branch outlet has a butt-fusion connection.



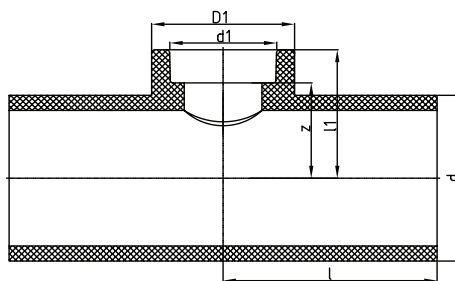
# PRODUCT RANGE - REDUCING TEE(s)

## aquatherm blue pipe® REDUCING TEE (OUTLET) (continued)

SDR	New Part no.	Old Part no.	Dimension (ND — OD)	d	d1	l	l1	z	D1	Weight
				[in]	[in]	[in]	[in]	[in]	[in]	[lb]
11	9792663601	2663601	6" x 6" x 2 1/2" — 160 x 160 x 75 mm	6.30	2.95	9.06	4.80	3.62	3.94	7.33
	9792663603	2663603	6" x 6" x 3" — 160 x 160 x 90 mm	6.30	3.54	9.06	4.92	3.62	4.72	11.4
	9792663609	2663609	8" x 8" x 2 1/2" — 200 x 200 x 75 mm	7.87	2.95	11.8	5.59	4.41	3.94	12.0
	9792663611	2663611	8" x 8" x 3" — 200 x 200 x 90 mm	7.87	3.54	11.8	5.71	4.41	4.72	12.3
	9792663613	2663613	8" x 8" x 3 1/2" — 200 x 200 x 110 mm	7.87	4.33	11.8	5.87	4.41	5.79	12.8
	9792663615	2663615	8" x 8" x 4" — 200 x 200 x 125 mm	7.87	4.92	11.8	6.10	4.53	6.57	13.5
	9792663625	2663625	10" x 10" x 2 1/2" — 250 x 250 x 75 mm	9.84	2.95	14.8	6.57	5.39	3.94	27.4
	9792663627	2663627	10" x 10" x 3" — 250 x 250 x 90 mm	9.84	3.54	14.8	6.69	5.39	4.72	27.4
	9792663629	2663629	10" x 10" x 3 1/2" — 250 x 250 x 110 mm	9.84	4.33	14.8	6.85	5.39	5.79	28.1
	9792663631	2663631	10" x 10" x 4" — 250 x 250 x 125 mm	9.84	4.92	14.8	7.09	5.51	6.57	28.7
	9792063651	2063651	12" x 12" x 4" — 315 x 315 x 125 mm	12.4	4.92	18.1	8.39	6.81	6.57	55.1
	9792063653	2063653 <sup>a</sup>	12" x 12" x 6" — 315 x 315 x 160 mm	12.4	-	18.1	9.37	-	6.30	55.2
	9792063663	2063663	14" x 14" x 4" — 355 x 355 x 125 mm	14.0	4.92	18.9	9.17	7.60	6.57	71.7
	9792063665	2063665 <sup>a</sup>	14" x 14" x 6" — 355 x 355 x 160 mm	14.0	-	18.9	10.2	-	6.30	71.7
	9792063667	2063667 <sup>a</sup>	14" x 14" x 8" — 355 x 355 x 200 mm	14.0	-	18.9	10.5	-	7.87	66.6
	9792063676	2063676	16" x 16" x 4" — 400 x 400 x 125 mm	15.8	4.92	19.7	10.0	8.46	6.57	92.8
	9792063678	2063678 <sup>a</sup>	16" x 16" x 6" — 400 x 400 x 160 mm	15.8	-	19.7	10.1	-	6.30	97.2
	9792063680	2063680 <sup>a</sup>	16" x 16" x 8" — 400 x 400 x 200 mm	15.8	-	19.7	11.0	-	7.87	97.2
	9792063682	2063682 <sup>a</sup>	16" x 16" x 10" — 400 x 400 x 250 mm	15.8	-	19.7	11.0	-	9.84	101
	9792063690	2063690	18" x 18" x 4" — 450 x 450 x 125 mm	17.7	4.92	20.7	11.0	9.45	6.57	123
9792063692	2063692 <sup>a</sup>	18" x 18" x 6" — 450 x 450 x 160 mm	17.7	-	20.7	12.0	-	6.30	128	
9792063694	2063694 <sup>a</sup>	18" x 18" x 8" — 450 x 450 x 200 mm	17.7	-	20.7	12.0	-	7.87	128	
9792063696	2063696 <sup>a</sup>	18" x 18" x 10" — 450 x 450 x 250 mm	17.7	-	20.7	12.0	-	9.84	128	
9792063698	2063698 <sup>a</sup>	18" x 18" x 12" — 450 x 450 x 315 mm	17.7	-	20.7	12.4	-	12.4	129	
9	9790813600	0813600	6" x 6" x 2 1/2" — 160 x 160 x 75 mm	6.30	2.95	9.06	4.80	3.62	3.94	8.69
	9790813602	0813602	6" x 6" x 3" — 160 x 160 x 90 mm	6.30	3.54	9.06	4.92	3.62	4.27	8.96
	9790813608	0813608	8" x 8" x 2 1/2" — 200 x 200 x 75 mm	7.87	2.95	11.8	5.59	4.41	3.94	17.1
	9790813610	0813610	8" x 8" x 3" — 200 x 200 x 90 mm	7.87	3.54	11.8	5.71	4.41	4.27	17.4
	9790813612	0813612	8" x 8" x 3 1/2" — 200 x 200 x 110 mm	7.87	4.33	11.8	5.87	4.41	5.79	18.0
	9790813614	0813614	8" x 8" x 4" — 200 x 200 x 125 mm	7.87	4.92	11.8	6.10	4.53	6.57	18.0
	9790813624	0813624	10" x 10" x 2 1/2" — 250 x 250 x 75 mm	9.84	2.95	14.8	6.57	5.39	3.94	32.9
	9790813626	0813626	10" x 10" x 3" — 250 x 250 x 90 mm	9.84	3.54	14.8	6.69	5.39	4.27	33.2
	9790813628	0813628	10" x 10" x 3 1/2" — 250 x 250 x 110 mm	9.84	4.33	14.8	6.85	5.39	5.79	33.8
	9790813630	0813630	10" x 10" x 4" — 250 x 250 x 125 mm	9.84	4.92	14.8	7.09	5.51	6.57	34.2
	9790813904	0813904	12" x 12" x 4" — 315 x 315 x 125 mm	12.4	4.92	18.1	8.39	6.81	6.57	63.4
	9790813906	0813906 <sup>a</sup>	12" x 12" x 6" — 315 x 315 x 160 mm	12.4	-	18.1	9.37	-	6.30	65.0
	9790813916	0813916	14" x 14" x 4" — 355 x 355 x 125 mm	14.0	4.92	18.9	9.17	7.60	6.57	85.3
	9790813918	0813918 <sup>a</sup>	14" x 14" x 6" — 355 x 355 x 160 mm	14.0	-	18.9	10.2	-	6.30	85.4
	9790813920	0813920 <sup>a</sup>	14" x 14" x 8" — 355 x 355 x 200 mm	14.0	-	18.9	10.5	-	7.87	85.5

<sup>a</sup>Branch outlet has a butt-fusion connection.

aquatherm green pipe® REDUCING TEE (OUTLET) (inlet, outlet, branch)



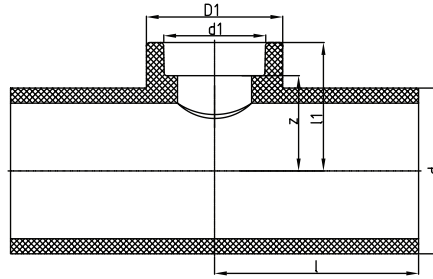
SDR	New Part no.	Old Part no.	Dimension (ND — OD)	d	d1	l	l1	z	D1	Weight
				[in]	[in]	[in]	[in]	[in]	[in]	[in]
11 Non- Faser	9790113601	0113601	6" x 6" x 2 1/2" — 160 x 160 x 75 mm	6.30	2.95	9.06	4.80	3.62	3.94	6.92
	9790113603	0113603	6" x 6" x 3" — 160 x 160 x 90 mm	6.30	3.54	9.06	4.92	3.62	4.27	7.00
	9790113609	0113609	8" x 8" x 2 1/2" — 200 x 200 x 75 mm	7.87	2.95	11.8	5.59	4.41	3.94	11.7
	9790113611	0113611	8" x 8" x 3" — 200 x 200 x 90 mm	7.87	3.54	11.8	5.71	4.41	4.27	11.4
	9790113613	0113613	8" x 8" x 3 1/2" — 200 x 200 x 110 mm	7.87	4.33	11.8	5.87	4.41	5.79	12.5
	9790113615	0113615	8" x 8" x 4" — 200 x 200 x 125 mm	7.87	4.92	11.8	6.10	4.53	6.57	12.8
	9790113625	0113625	10" x 10" x 2 1/2" — 250 x 250 x 75 mm	9.84	2.95	14.8	6.57	5.39	3.94	26.5
	9790113627	0113627	10" x 10" x 3" — 250 x 250 x 90 mm	9.84	3.54	14.8	6.69	5.39	4.27	26.5
	9790113629	0113629	10" x 10" x 3 1/2" — 250 x 250 x 110 mm	9.84	4.33	14.8	6.85	5.39	5.79	28.7
	9790113631	0113631	10" x 10" x 4" — 250 x 250 x 125 mm	9.84	4.92	14.8	7.09	5.51	6.57	26.5
	9790113651	0113651	12" x 12" x 4" — 315 x 315 x 125 mm	12.4	4.92	18.1	8.39	6.81	6.57	55.5
	9790113653	0113653 <sup>a</sup>	12" x 12" x 6" — 315 x 315 x 160 mm	12.4	-	18.1	9.37	-	6.30	54.8
	9790113663	0113663	14" x 14" x 4" — 355 x 355 x 125 mm	14.0	4.92	18.9	9.17	7.60	6.57	68.0
	9790113665	0113665 <sup>ab</sup>	14" x 14" x 6" — 355 x 355 x 160 mm	14.0	-	18.9	10.2	-	6.30	68.1
	9790113667	0113667 <sup>a</sup>	14" x 14" x 8" — 355 x 355 x 200 mm	14.0	-	18.9	10.5	-	7.87	69.8
	9790113676	0113676 <sup>b</sup>	16" x 16" x 4" — 400 x 400 x 125 mm	15.8	4.92	19.7	10.0	8.46	6.57	93.0
	9790113678	0113678 <sup>ab</sup>	16" x 16" x 6" — 400 x 400 x 160 mm	15.8	-	19.7	11.0	-	6.30	97.3
	9790113680	0113680 <sup>ab</sup>	16" x 16" x 8" — 400 x 400 x 200 mm	15.8	-	19.7	11.0	-	7.87	97.3
	9790113682	0113682 <sup>ab</sup>	16" x 16" x 10" — 400 x 400 x 250 mm	15.8	-	19.7	11.0	-	9.84	97.3
	9790113690	0113690	18" x 18" x 4" — 450 x 450 x 125 mm	17.7	4.92	20.7	11.0	9.45	6.57	123
9790113692	0113692 <sup>ab</sup>	18" x 18" x 6" — 450 x 450 x 160 mm	17.7	-	20.7	12.0	-	6.30	128	
9790113694	0113694 <sup>ab</sup>	18" x 18" x 8" — 450 x 450 x 200 mm	17.7	-	20.7	12.0	-	7.87	128	
9790113696	0113696 <sup>ab</sup>	18" x 18" x 10" — 450 x 450 x 250 mm	17.7	-	20.7	12.0	-	9.84	128	
9790113698	0113698 <sup>ab</sup>	18" x 18" x 12" — 450 x 450 x 315 mm	17.7	-	20.7	12.4	-	12.4	130	

<sup>a</sup>Branch outlet has a butt-fusion connection.

<sup>b</sup>Mechanically stabilized with multi-layer, faser-composite (MF) technology in the center of the pipe.

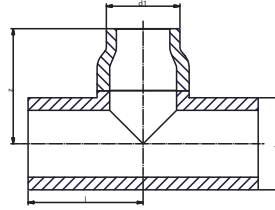
# PRODUCT RANGE - REDUCING TEE(S)

**aquatherm green pipe® REDUCING TEE (OUTLET)** (inlet, outlet, branch)



SDR	New Part no.	Old Part no.	Dimension (ND — OD)	d	d1	l	l1	z	D1	Weight
				[in]	[in]	[in]	[in]	[in]	[in]	[in]
7.4 Faser	9790113600	0113600	6" x 6" x 2 1/2" — 160 x 160 x 75 mm	6.30	2.95	9.06	4.80	3.62	3.94	9.73
	9790113602	0113602	6" x 6" x 3" — 160 x 160 x 90 mm	6.30	3.54	9.06	4.92	3.62	4.27	9.95
	9790113608	0113608	8" x 8" x 2 1/2" — 200 x 200 x 75 mm	7.87	2.95	11.8	5.59	4.41	3.94	15.7
	9790113610	0113610	8" x 8" x 3" — 200 x 200 x 90 mm	7.87	3.54	11.8	5.71	4.41	4.27	16.6
	9790113612	0113612	8" x 8" x 3 1/2" — 200 x 200 x 110 mm	7.87	4.33	11.8	5.87	4.41	5.79	16.2
	9790113614	0113614	8" x 8" x 4" — 200 x 200 x 125 mm	7.87	4.92	11.8	6.10	4.53	6.57	16.9
	9790113624	0113624	10" x 10" x 2 1/2" — 250 x 250 x 75 mm	9.84	2.95	14.8	6.57	5.39	3.94	36.6
	9790113626	0113626	10" x 10" x 3" — 250 x 250 x 90 mm	9.84	3.54	14.8	6.69	5.39	4.27	37.0
	9790113628	0113628	10" x 10" x 3 1/2" — 250 x 250 x 110 mm	9.84	4.33	14.8	6.85	5.39	5.79	37.0
	9790113630	0113630	10" x 10" x 4" — 250 x 250 x 125 mm	9.84	4.92	14.8	7.09	5.51	6.57	37.5

aquatherm blue pipe® REDUCING TEE (REDUCER) (inlet, outlet, branch)

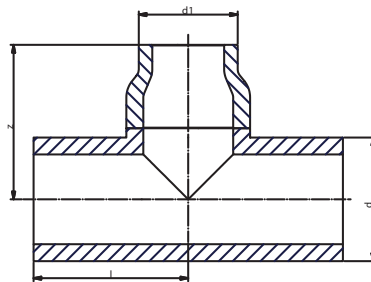


SDR	New Part no.	Old Part no.	Dimension (ND — OD)	d	d1	l	z	Weight
				[in]	[in]	[in]	[in, +0.25/-0.0]	[lb]
17.6	9792563604	2563604 <sup>a</sup>	6" x 6" x 4" — 160 x 160 x 125 mm	6.30	4.92	9.06	9.06	6.39
	9792563618	2563618	8" x 8" x 6" — 200 x 200 x 160 mm	7.87	6.30	11.8	12.0	12.2
	9792563634	2563634	10" x 10" x 6" — 250 x 250 x 160 mm	9.84	6.30	14.8	14.8	22.7
	9792563640	2563640	10" x 10" x 8" — 250 x 250 x 200 mm	9.84	7.87	14.8	14.8	22.3
	9792563655	2563655	12" x 12" x 8" — 315 x 315 x 200 mm	12.4	7.87	18.1	18.1	48.0
	9792563657	2563657	12" x 12" x 10" — 315 x 315 x 250 mm	12.4	9.84	18.1	18.1	44.5
	9792563669	2563669	14" x 14" x 10" — 355 x 355 x 250 mm	14.0	9.84	18.9	18.9	54.6
	9792563671	2563671	14" x 14" x 12" — 355 x 355 x 315 mm	14.0	12.4	18.9	18.9	58.6
	9792563684	2563684	16" x 16" x 12" — 400 x 400 x 315 mm	15.8	12.4	19.7	19.7	69.3
	9792563685	2563685	16" x 16" x 14" — 400 x 400 x 355 mm	15.8	14.0	19.7	19.7	68.6
	9792563699	2563699	18" x 18" x 14" — 450 x 450 x 355 mm	17.7	14.0	20.7	20.7	94.6
	9792563700	2563700	18" x 18" x 16" — 450 x 450 x 400 mm	17.7	15.8	20.7	20.7	93.8
	9792563813	2563813	20" x 20" x 14" — 500 x 500 x 355 mm	19.7	14.0	23.6	23.6	137
	9792563814	2563814	20" x 20" x 16" — 500 x 500 x 400 mm	19.7	15.8	23.6	23.6	137
	9792563815	2563815	20" x 20" x 18" — 500 x 500 x 450 mm	19.7	17.7	23.6	23.6	135
	9792563849	2563849	24" x 24" x 16" — 630 x 630 x 400 mm	24.8	15.8	26.2	26.2	246
9792563850	2563850	24" x 24" x 18" — 630 x 630 x 450 mm	24.8	17.7	26.2	26.2	247	
9792563851	2563851	24" x 24" x 20" — 630 x 630 x 500 mm	24.8	19.7	26.2	26.2	242	
11	9792663605	2663605 <sup>a</sup>	6" x 6" x 4" — 160 x 160 x 125 mm	6.30	4.92	9.06	9.06	9.12
	9792663619	2663619	8" x 8" x 6" — 200 x 200 x 160 mm	7.87	6.30	11.8	12.0	18.0
	9792663635	2663635	10" x 10" x 6" — 250 x 250 x 160 mm	9.84	6.30	14.8	14.8	35.1
	9792663641	2663641	10" x 10" x 8" — 250 x 250 x 200 mm	9.84	7.87	14.8	14.8	35.2
	9792063655	2063655	12" x 12" x 8" — 315 x 315 x 200 mm	12.4	7.87	18.1	18.1	66.3
	9792063657	2063657	12" x 12" x 10" — 315 x 315 x 250 mm	12.4	9.84	18.1	18.1	66.7
	9792063669	2063669	14" x 14" x 10" — 355 x 355 x 250 mm	14.0	9.84	18.9	18.9	83.9
	9792063671	2063671	14" x 14" x 12" — 355 x 355 x 315 mm	14.0	12.4	18.9	18.9	90.3
	9792063684	2063684	16" x 16" x 12" — 400 x 400 x 315 mm	15.8	12.4	19.7	19.7	108
	9792063685	2063685	16" x 16" x 14" — 400 x 400 x 355 mm	15.8	14.0	19.7	19.7	107
	9792063699	2063699	18" x 18" x 14" — 450 x 450 x 355 mm	17.7	14.0	20.7	20.7	146
	9792063700	2063700	18" x 18" x 16" — 450 x 450 x 400 mm	17.7	15.8	20.7	20.7	146
9	9790813604	0813604 <sup>a</sup>	6" x 6" x 4" — 160 x 160 x 125 mm	6.30	4.92	9.06	9.06	12.6
	9790813618	0813618	8" x 8" x 6" — 200 x 200 x 160 mm	7.87	6.30	11.8	11.8	24.7
	9790813634	0813634	10" x 10" x 6" — 250 x 250 x 160 mm	9.84	6.30	14.8	14.8	47.6
	9790813640	0813640	10" x 10" x 8" — 250 x 250 x 200 mm	9.84	7.87	14.8	14.8	48.3
	9790813908	0813908	12" x 12" x 8" — 315 x 315 x 200 mm	12.4	7.87	18.1	18.1	93.1
	9790813910	0813910	12" x 12" x 10" — 315 x 315 x 250 mm	12.4	9.84	18.1	18.1	94.6
	9790813922	0813922	14" x 14" x 10" — 355 x 355 x 250 mm	14.0	9.84	18.9	18.9	122.8
	9790813924	0813924	14" x 14" x 12" — 355 x 355 x 315 mm	14.0	12.4	18.9	18.9	122.2

<sup>a</sup> 4" branch is socket fusion. If needed, branch can come with a 1 ft extension to be used for butt-fusion.

# PRODUCT RANGE - REDUCING TEE(S)

## aquatherm green pipe® REDUCING TEE (REDUCER) (inlet, outlet, branch)

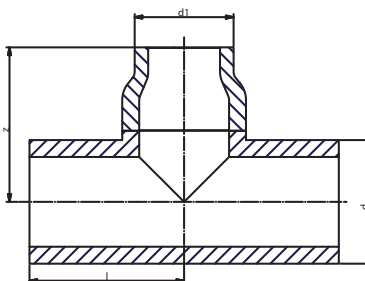


SDR	New Part no.	Old Part no.	Dimension (ND — OD)	d	d1	l	z	Weight
				[in]	[in]	[in]	[in, +0.25/-0.0]	[lb]
11 Non- Faser	9790113605	0113605 <sup>a</sup>	6" x 6" x 4" — 160 x 160 x 125 mm	6.30	4.92	9.06	9.06	8.76
	9790113619	0113619	8" x 8" x 6" — 200 x 200 x 160 mm	7.87	6.30	11.8	11.8	17.3
	9790113635	0113635	10" x 10" x 6" — 250 x 250 x 160 mm	9.84	6.30	14.8	14.8	33.4
	9790113641	0113641	10" x 10" x 8" — 250 x 250 x 200 mm	9.84	7.87	14.8	14.8	33.6
	9790113655	0113655	12" x 12" x 8" — 315 x 315 x 200 mm	12.4	7.87	18.1	18.1	66.3
	9790113657	0113657	12" x 12" x 10" — 315 x 315 x 250 mm	12.4	9.84	18.1	18.1	66.7
	9790113669	0113669	14" x 14" x 10" — 355 x 355 x 250 mm	14.0	9.84	18.9	18.9	79.9
	9790113671	0113671	14" x 14" x 12" — 355 x 355 x 315 mm	14.0	12.4	18.9	18.9	85.9
	9790113684	0113684 <sup>b</sup>	16" x 16" x 12" — 400 x 400 x 315 mm	15.8	12.4	19.7	19.7	108
	9790113685	0113685 <sup>b</sup>	16" x 16" x 14" — 400 x 400 x 355 mm	15.8	14.0	19.7	19.7	107
	9790113699	0113699 <sup>b</sup>	18" x 18" x 14" — 450 x 450 x 355 mm	17.7	14.0	20.7	20.7	146
9790113700	0113700 <sup>b</sup>	18" x 18" x 16" — 450 x 450 x 400 mm	17.7	15.8	20.7	20.7	146	

<sup>a</sup> 4" branch is socket fusion. If needed, branch can come with 1 ft extension to be used for butt-fusion.

<sup>b</sup> Mechanically stabilized with multi-layer, faser-composite (MF) technology in the center of the pipe.

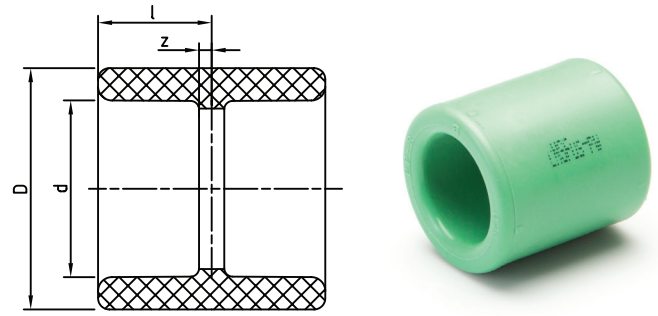
## aquatherm green pipe® REDUCING TEE (REDUCER) (inlet, outlet, branch)



SDR	New Part no.	Old Part no.	Dimension (ND — OD)	d	d1	l	z	Weight
				[in]	[in]	[in]	[in, +0.25/-0.0]	[lb]
7.4 Faser	9790113604	0113604 <sup>a</sup>	6" x 6" x 4" — 160 x 160 x 125 mm	6.30	4.92	9.06	9.06	13.0
	9790113619	0113618	8" x 8" x 6" — 200 x 200 x 160 mm	7.87	6.30	11.8	11.8	25.5
	9790113634	0113634	10" x 10" x 6" — 250 x 250 x 160 mm	9.84	6.30	14.8	14.8	49.4
	9790113640	0113640	10" x 10" x 8" — 250 x 250 x 200 mm	9.84	7.87	14.8	14.8	50.4

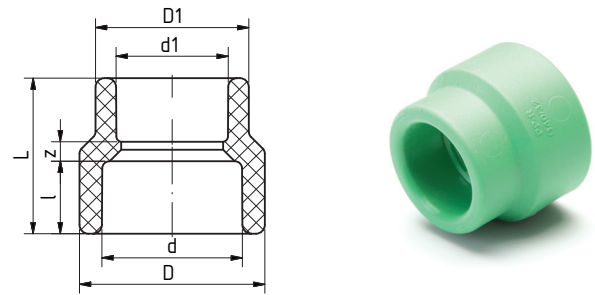
<sup>a</sup> 4" branch is socket fusion. If needed, branch can come with 1 ft extension to be used for butt-fusion.

**aquatherm COUPLING**



New Part no.	Old Part no.	Dimension (ND — OD)	d	l	z	D	Weight
			[in]	[in]	[in]		
1040020911	0111008	½" — 20 mm	0.79	0.63	0.06	1.16	0.02
1040025912	0111010	¾" — 25 mm	0.98	0.69	0.06	1.34	0.03
1040032913	0111012	1" — 32 mm	1.26	0.80	0.09	1.69	0.06
1040040914	0111014	1¼" — 40 mm	1.57	0.94	0.13	2.05	0.10
1040050915	0111016	1½" — 50 mm	1.97	1.04	0.12	2.68	0.19
1040063916	0111018	2" — 63 mm	2.48	1.19	0.11	3.31	0.31
1040075917	0111020	2½" — 75 mm	2.95	1.31	0.13	3.94	0.50
1040090918	0111022	3" — 90 mm	3.54	1.43	0.13	4.72	0.76
1040110919	0111024	3½" — 110 mm	4.33	1.61	0.16	5.79	1.28
1040125920	0111026	4" — 125 mm	4.92	1.77	0.20	6.57	1.86

**aquatherm REDUCING COUPLING** female/female

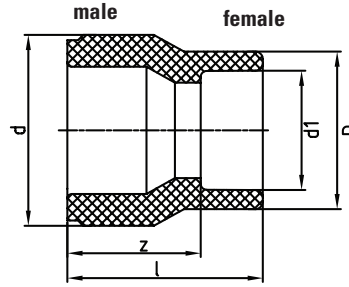


New Part no.	Old Part no.	Dimension (ND — OD)	d	d1	L	l	z	D	D1	Weight
			[in]	[in]	[in]	[in]	[in]			
1040040967	0111222	1 ¼" to 1" — 40 to 32 mm	1.57	1.26	1.73	0.94	0.14	2.05	1.69	0.08
1040050968	0111228	1 ½" to 1" — 50 to 32 mm	1.97	1.26	1.85	1.04	0.12	2.68	1.69	0.14
1040050969	0111230	1 ½" to 1 ¼" — 50 to 40 mm	1.97	1.57	1.99	1.04	0.12	2.68	2.05	0.15
1040063970	0111236	2" to 1 ¼" — 63 to 40 mm	2.48	1.57	2.13	1.20	0.12	3.31	2.05	0.25
1040063971	0111238	2" to 1 ½" — 63 to 50 mm	2.48	1.97	2.20	1.18	0.10	3.31	2.68	0.27
1040075972	0111240	2 ½" to 1 ½" — 75 to 50 mm	2.95	1.97	2.68	1.32	0.57	3.94	2.68	0.39
1040075973	0111242	2 ½" to 2" — 75 to 63 mm	2.95	2.48	2.46	1.28	0.10	3.94	3.31	0.41
1040090974	0111252	3" to 2" — 90 to 63 mm	3.54	2.48	2.62	1.44	0.14	4.72	3.31	0.61
1040090975	0111253	3" to 2 ½" — 90 to 75 mm	3.54	2.95	2.72	1.42	0.12	4.72	3.94	0.65
1040110976	0111257	3 ½" to 2 ½" — 110 to 75 mm	4.33	2.95	2.93	1.61	0.16	5.79	3.94	1.14
1040110977	0111259	3 ½" to 3" — 110 to 90 mm	4.33	3.54	3.05	1.61	0.16	5.79	4.72	1.15
1040125978	0111263	4" to 3" — 125 to 90 mm	4.92	3.54	3.27	1.81	0.24	6.57	4.72	1.65
1040125979	0111265	4" to 3 ½" — 125 to 110 mm	4.92	4.33	3.43	1.81	0.24	6.57	5.79	1.60

# PRODUCT RANGE - BUSHING

## aquatherm BUSHING

Female to male for use with standard fitting. Female side is identified by a socket-fitting structure, male side is identified with a beveled edge. Appearance of bushing will vary by dimension.

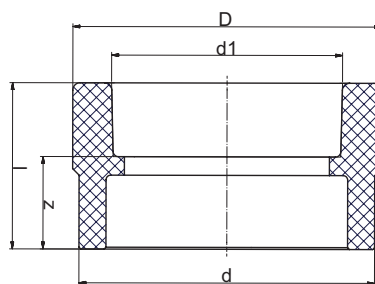


New Part no.	Old Part no.	Dimension (ND — OD) (M-F)	d	d1	l	z	D	Weight
			[in]	[in]	[in]	[in]	[in]	[lb]
1040025923	0111112	¾ to ½" — 25 to 20 mm	1.16	0.79	1.52	0.94	0.98	0.03
1040032924	0111114	1" to ½" — 32 to 20 mm	1.26	0.79	1.48	0.91	1.16	0.03
1040032925	0111116	1" to ¾" — 32 to 25 mm	1.34	0.98	1.50	0.87	1.26	0.03
1040040926	0111118	1 ¼" to ½" — 40 to 20 mm	1.57	0.79	1.77	1.20	1.16	0.05
1040040927	0111120	1 ¼" to ¾" — 40 to 25 mm	1.57	0.98	1.97	1.34	1.34	0.06
1040040928	0111122	1 ¼" to 1" — 40 to 32 mm	1.69	1.26	1.97	1.26	1.57	0.07
1040050929	0111124	1 ½" to ½" — 50 to 20 mm	1.97	0.79	2.17	1.59	1.16	0.10
1040050930	0111126	1 ½" to ¾" — 50 to 25 mm	1.97	0.98	2.17	1.54	1.34	0.10
1040050931	0111128	1 ½" to 1" — 50 to 32 mm	1.97	1.26	2.13	1.42	1.69	0.11
1040050932	0111130	1 ½" to 1 ¼" — 50 to 40 mm	2.05	1.57	2.07	1.26	1.97	0.12
1040063933	0111131	2" to ½" — 63 to 20 mm	2.48	0.79	2.56	1.99	1.16	0.16
1040063934	0111132	2" to ¾" — 63 to 25 mm	2.48	0.98	2.56	1.93	1.34	0.16
1040063935	0111134	2" to 1" — 63 to 32 mm	2.48	1.26	2.44	1.73	1.69	0.18
1040063936	0111136	2" to 1 ¼" — 63 to 40 mm	2.48	1.57	2.56	1.75	2.05	0.23
1040063937	0111138	2" to 1 ½" — 63 to 50 mm	2.68	1.97	2.50	1.57	2.48	0.25
1040075941	0111143	2 ½" to ½" — 75 to 20 mm	2.95	0.79	2.58	2.01	1.36	0.24
1040075942	0111144	2 ½" to ¾" — 75 to 25 mm	2.95	0.98	2.58	1.95	1.36	0.24
1040075943	0111145	2 ½" to 1" — 75 to 32 mm	2.95	1.26	2.74	2.03	2.05	0.31
1040075938	0111139	2 ½" to 1 ¼" — 75 to 40 mm	2.95	1.57	2.74	1.93	2.05	0.29
1040075939	0111140	2 ½" to 1 ½" — 75 to 50 mm	2.95	1.97	2.48	1.56	2.68	0.31
1040075940	0111142	2 ½" to 2" — 75 to 63 mm	3.31	2.48	2.80	1.71	2.95	0.38
1040090944	0111151	3" to 1 ½" — 90 to 50 mm	3.54	1.97	2.95	2.03	2.68	0.43
1040090945	0111152	3" to 2" — 90 to 63 mm	3.54	2.48	3.07	1.99	3.31	0.49
1040090946	0111153	3" to 2 ½" — 90 to 75 mm	3.94	2.95	3.21	2.03	3.54	0.60
1040110947	0111155	3 ½" to 2" — 110 to 63 mm	4.33	2.48	3.39	2.30	3.31	0.79
1040110948	0111157	3 ½" to 2 ½" — 110 to 75 mm	4.33	2.95	3.50	2.32	3.94	0.84
1040110949	0111159	3 ½" to 3" — 110 to 90 mm	4.72	3.54	3.90	2.60	4.33	1.10
1040125950	0111161	4" to 2 ½" — 125 to 75 mm	4.92	2.95	3.98	2.80	3.94	1.14
1040125951	0111163	4" to 3" — 125 to 90 mm	4.92	3.54	3.90	2.60	4.72	1.30
1040125952	0111165	4" to 3 ½" — 125 to 110 mm	5.79	4.33	4.41	2.95	4.92	1.83

**aquatherm REDUCING COUPLING**

Socket-fused on one side, butt-fused on the other. These fittings can be used with either the **aquatherm green pipe**® or **aquatherm blue pipe**® systems, but are all molded from the green **fusiolen**® material. The SDR of the fittings must match the SDR of the pipe. The length of some fittings may not accommodate all butt-fusion equipment.

**NOTE: Verify the equipment to be used is compatible with the fittings when ordering.**



SDR	New Part no.	Old Part no.	Dimension (ND — OD)	d	d1	l	z	D	Weight
				[in]	[in]	[in]	[in]	[in]	[lb]
17.6	2047160001	2511174	6" to 3 1/2" — 160 to 110 mm	6.30	4.33	3.54	2.09	5.79	1.36
	2047160002	2511176	6" to 4" — 160 to 125 mm	6.30	4.92	3.54	1.97	6.57	1.39
	2047200003	2511182	8" to 4" — 200 to 125 mm	7.87	4.92	5.31	3.74	6.57	2.33
11	1044160954	0111175	6" to 3 1/2" — 160 to 110 mm	6.30	4.33	3.54	2.09	5.79	1.44
	1044160956	0111177	6" to 4" — 160 to 125 mm	6.30	4.92	3.54	1.97	6.57	1.40
	1044200958	0111183	8" to 4" — 200 to 125 mm	7.87	4.92	5.31	3.74	6.57	2.96
9	1043160122	0311174	6" to 3 1/2" — 160 to 110 mm	6.30	4.33	3.43	1.97	5.79	1.61
	1043160123	0311176	6" to 4" — 160 to 125 mm	6.30	4.84	3.54	1.97	6.57	1.91
	1043200124	0311182	8" to 4" — 200 to 125 mm	7.87	4.84	5.31	3.74	6.57	3.53
7.4	1042160953	0111174	6" to 3 1/2" — 160 to 110 mm	6.30	4.33	3.43	1.97	5.79	1.61
	1042160955	0111176	6" to 4" — 160 to 125 mm	6.30	4.92	3.54	1.97	6.57	1.85
	1042200957	0111182	8" to 4" — 200 to 125 mm	7.87	4.92	5.31	3.74	6.57	3.62

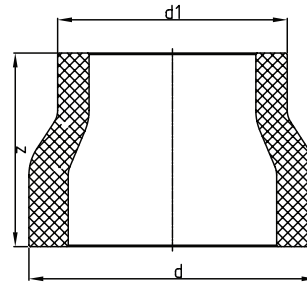


# PRODUCT RANGE - BUTT-FUSION REDUCER

## aquatherm BUTT-FUSION REDUCER

The butt fusion reducer can be used with either the **aquatherm green pipe**® or **aquatherm blue pipe**® systems, but are all molded from the green **fusiolen**® material. The SDR of the fittings must match the SDR of the pipe.

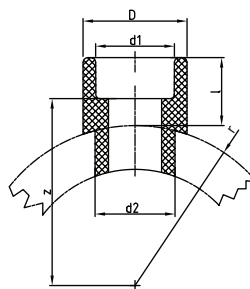
**NOTE: The length of some fittings may not accommodate all butt-fusion equipment. Verify the equipment to be used is compatible with the fittings when ordering.**



SDR	New Part no.	Old Part no.	Dimension (ND — OD)	d	d1	z	Weight
				[in]	[in]	[in]	[lb]
17.6	2047200004	2511184	8" to 6" — 200 to 160 mm	7.87	6.30	5.31	2.23
	2047250005	2511188	10" to 6" — 250 to 160 mm	9.84	6.30	6.79	3.31
	2047250006	2511190	10" to 8" — 250 to 200 mm	9.84	7.87	6.79	2.95
	2047315007	2511193	12" to 8" — 315 to 200 mm	12.4	7.87	6.79	9.13
	2047315009	2511195	12" to 10" — 315 to 250 mm	12.4	9.84	8.86	7.54
	2047355010	2511197	14" to 10" — 355 to 250 mm	14.0	9.84	9.65	6.83
	2047355011	2511199	14" to 12" — 355 to 315 mm	14.0	12.4	6.30	6.85
	2047400012	2511201	16" to 10" — 400 to 250 mm	15.8	9.84	10.2	9.88
	2047400013	2511203	16" to 12" — 400 to 315 mm	15.8	12.4	10.2	7.42
	2047400014	2511204	16" to 14" — 400 to 355 mm	15.8	14.0	10.2	6.72
	2047450015	2511206	18" to 12" — 450 to 315 mm	17.7	12.4	9.06	10.8
	2047450016	2511207	18" to 14" — 450 to 355 mm	17.7	14.0	9.06	10.3
	2047450017	2511208	18" to 16" — 450 to 400 mm	17.7	15.8	9.06	9.45
	2047500018	2511209	20" to 12" — 500 to 315 mm	19.7	12.4	9.06	17.9
	2047500019	2511210	20" to 14" — 500 to 355 mm	19.7	14.0	9.06	14.3
	2047500020	2511211	20" to 16" — 500 to 400 mm	19.7	15.8	9.06	14.8
	2047500021	2511212	20" to 18" — 500 to 450 mm	19.7	17.7	9.06	12.1
	2047630022	2511216	24" to 16" — 630 to 400 mm	24.8	15.8	7.56	33.3
2047630023	2511217	24" to 18" — 630 to 450 mm	24.8	17.7	7.87	30.2	
2047630024	2511218	24" to 20" — 630 to 500 mm	24.8	19.7	7.87	24.3	
11	1044200960	0111185	8" to 6" — 200 to 160 mm	7.87	6.30	5.31	2.66
	1044250962	0111189	10" to 6" — 250 to 160 mm	9.84	6.30	6.79	5.10
	1044250964	0111191	10" to 8" — 250 to 200 mm	9.84	7.87	6.79	5.27
	1044315064	0111193	12" to 8" — 315 to 200 mm	12.4	7.87	8.86	9.68
	1044315966	0111195	12" to 10" — 315 to 250 mm	12.4	9.84	9.17	10.6
	1044355066	0111197	14" to 10" — 355 to 250 mm	14.0	9.84	6.31	9.77
	1044355067	0111199	14" to 12" — 355 to 315 mm	14.0	12.4	6.30	9.99
	1044400068	0111201	16" to 10" — 400 to 250 mm	15.8	9.84	10.2	16.5
	1044400069	0111203	16" to 12" — 400 to 315 mm	15.8	12.4	10.2	13.4
	1044400070	0111204	16" to 14" — 400 to 355 mm	15.8	14.0	10.2	12.1
	1044450071	0111206	18" to 12" — 450 to 315 mm	17.7	12.4	9.06	20.2
	1044450072	0111207	18" to 14" — 450 to 355 mm	17.7	14.0	9.06	16.7
	1044450073	0111208	18" to 16" — 450 to 400 mm	17.7	15.8	9.06	16.7
9	1043200125	0311184	8" to 6" — 200 to 160 mm	7.87	6.30	5.31	3.50
	1043250126	0311188	10" to 6" — 250 to 160 mm	9.84	6.30	6.79	6.39
	1043250127	0311190	10" to 8" — 250 to 200 mm	9.84	7.87	6.79	7.07
	1043315132	0311192	12" to 8" — 315 to 200 mm	12.4	7.87	8.86	14.0
	1043315128	0311194	12" to 10" — 315 to 250 mm	12.4	9.84	8.86	15.5
	1043355129	0311196	14" to 10" — 355 to 250 mm	14.0	9.84	6.69	12.4
	1043355130	0311198	14" to 12" — 355 to 315 mm	14.0	12.4	6.30	10.9
7.4	1042200959	0111184	8" to 6" — 200 to 160 mm	7.87	6.30	5.31	3.46
	1042250961	0111188	10" to 6" — 250 to 160 mm	9.84	6.30	6.79	6.35
	1042250963	0111190	10" to 8" — 250 to 200 mm	9.84	7.87	6.79	7.17

**aquatherm FUSION OUTLET (SOCKET)**

The necessary fusion outlet heads are listed on page 59 (part no. 0050614 - 0050744).  
Fusion outlet fittings are rated at SDR 6. Allowances should be made for connection to other SDRs.



New Part no.	Old Part no.	Dimension pipe x outlet (ND — OD)	r	d1	d2	l	z	D	Weight
			[in]	[in]	[in]	[in]	[in]	[in]	[lb]
1030040900	0115156	1 ¼" x ½" — 40 x 20 mm	0.79	0.79	0.98	1.06	1.28	1.16	0.03
1030040901	0115158	1 ¼" x ¾" — 40 x 25 mm	0.79	0.98	0.98	1.12	1.28	1.34	0.04
1030050902	0115160	1 ½" x ½" — 50 x 20 mm	0.99	0.79	0.98	1.08	1.50	1.16	0.04
1030050903	0115162	1 ½" x ¾" — 50 x 25 mm	0.99	0.98	0.98	1.12	1.48	1.34	0.04
1030063904	0115164	2 x ½" — 63 x 20 mm	1.24	0.79	0.98	1.08	1.75	1.16	0.04
1030063905	0115166	2" x ¾" — 63 x 25 mm	1.24	0.98	0.98	1.12	1.73	1.34	0.04
1030063906	0115168	2" x 1" — 63 x 32 mm	1.24	1.26	1.26	1.18	1.71	1.69	0.06
1030075907	0115170	2 ½" x ½" — 75 x 20 mm	1.48	0.79	0.98	1.08	1.99	1.16	0.04
1030075908	0115172	2 ½" x ¾" — 75 x 25 mm	1.48	0.98	0.98	1.12	1.97	1.34	0.04
1030075909	0115174	2 ½" x 1" — 75 x 32 mm	1.48	1.26	1.26	1.18	1.95	1.69	0.06
1030075910	0115175	2 ½" x 1 ¼" — 75 x 40 mm	1.48	1.57	1.57	1.34	2.01	2.05	0.11
1030090911	0115176	3" x ½" — 90 x 20 mm	1.77	0.79	0.98	1.08	2.28	1.16	0.04
1030090912	0115178	3" x ¾" — 90 x 25 mm	1.77	0.98	0.98	1.12	2.26	1.34	0.04
1030090913	0115180	3" x 1" — 90 x 32 mm	1.77	1.26	1.26	1.18	2.24	1.69	0.06
1030090914	0115181	3" x 1 ¼" — 90 x 40 mm	1.77	1.57	1.57	1.34	2.30	2.05	0.11
1030110915	0115182	3 ½" x ½" — 110 x 20 mm	2.17	0.79	0.98	1.08	2.68	1.16	0.04
1030110916	0115184	3 ½" x ¾" — 110 x 25 mm	2.17	0.98	0.98	1.12	2.70	1.34	0.04
1030110917	0115186	3 ½" x 1" — 110 x 32 mm	2.17	1.26	1.26	1.18	2.64	1.69	0.07
1030110918	0115188	3 ½" x 1 ¼" — 110 x 40 mm	2.17	1.57	1.57	1.34	2.70	2.05	0.11
1030110919	0115189	3 ½" x 1 ½" — 110 x 50 mm	2.17	1.97	1.97	1.34	2.58	2.68	0.20
1030125920	0115190	4" x ½" — 125 x 20 mm	2.46	0.79	0.98	1.08	2.93	1.16	0.04
1030125921	0115192	4" x ¾" — 125 x 25 mm	2.46	0.98	0.98	1.12	2.95	1.34	0.04
1030125922	0115194	4" x 1" — 125 x 32 mm	2.46	1.26	1.26	1.18	2.93	1.69	0.06
1030125923	0115196	4" x 1 ¼" — 125 x 40 mm	2.46	1.57	1.57	1.34	2.99	2.05	0.11
1030125924	0115197	4" x 1 ½" — 125 x 50 mm	2.46	1.97	1.97	1.34	2.87	2.68	0.20
1030125925	0115198	4" x 2" — 125 x 63 mm	2.46	2.48	2.48	1.50	2.87	3.31	0.33
1030160926	0115206	6" x ½" — 160 x 20 mm	3.15	0.79	0.98	2.44	3.66	1.16	0.05
1030160927	0115208	6" x ¾" — 160 x 25 mm	3.15	0.98	0.98	1.12	3.64	1.34	0.05
1030160928	0115210	6" x 1" — 160 x 32 mm	3.15	1.26	1.26	1.18	3.62	1.69	0.07
1030160929	0115212	6" x 1 ¼" — 160 x 40 mm	3.15	1.57	1.57	1.34	3.68	2.05	0.12
1030160930	0115214	6" x 1 ½" — 160 x 50 mm	3.15	1.97	1.97	1.34	3.56	2.70	0.21
1030160931	0115216	6" x 2" — 160 x 63 mm	3.15	2.48	2.48	1.50	3.56	3.31	0.34
1030160932	0115218	6" x 2 ½" — 160 x 75 mm	3.15	2.95	2.95	1.65	3.62	3.94	0.52
1030160933	0115220	6" x 3" — 160 x 90 mm	3.15	3.54	3.54	1.77	3.62	4.72	0.79
1030250934	0115228	8" to 10" x ½" — 200 to 250 x 20 mm	3.94/4.92	0.79	0.98	1.08	4.45	1.16	0.04
1030250935	0115229	8" to 10" x ¾" — 200 to 250 x 25 mm	3.94/4.92	0.98	0.98	1.12	4.43	1.34	0.05
1030250936	0115230	8" to 10" x 1" — 200 to 250 x 32 mm	3.94/4.92	1.26	1.26	1.18	4.41	1.69	0.07
1030200937	0115231	8" x 1 ¼" — 200 x 40 mm	3.94	1.57	1.57	1.34	4.47	2.05	0.11
1030200938	0115232	8" x 1 ½" — 200 x 50 mm	3.94	1.97	1.97	1.34	4.35	2.68	0.19
1030200939	0115233	8" x 2" — 200 x 63 mm	3.94	2.48	2.48	1.48	4.33	3.31	0.32

# PRODUCT RANGE - FUSION OUTLETS

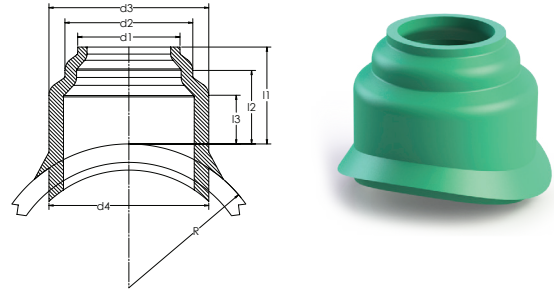
## aquatherm green pipe® FUSION OUTLET (SOCKET) (continued)

New Part no.	Old Part no.	Dimension pipe x outlet (ND — OD)	r	d1	d2	l	z	D	Weight
			[in]	[in]	[in]	[in]	[in]	[in]	[lb]
1030200940	0115234	8" x 2 ½" — 200 x 75 mm	3.94	2.95	2.95	1.65	4.41	3.94	0.50
1030200941	0115235	8" x 3" — 200 x 90 mm	3.94	3.54	3.54	1.77	4.41	4.72	0.78
1030200942	0115236	8" x 3 ½" — 200 x 110 mm	3.94	4.33	4.33	1.93	4.41	5.79	1.41
1030200943	0115237	8" x 4" — 200 x 125 mm	3.94	4.92	4.92	2.17	4.53	6.57	1.90
1030250944	0115251	10" x 1 ¼" — 250 x 40 mm	4.92	1.57	1.57	1.34	5.45	2.05	0.12
1030250945	0115252	10" x 1 ½" — 250 x 50 mm	4.92	1.97	1.97	1.34	5.33	2.68	0.20
1030250946	0115253	10" x 2" — 250 x 63 mm	4.92	2.48	2.48	1.48	5.31	3.31	0.33
1030250947	0115254	10" x 2 ½" — 250 x 75 mm	4.92	2.95	2.95	1.65	5.39	3.94	0.49
1030250948	0115255	10" x 3" — 250 x 90 mm	4.92	3.54	3.54	1.77	5.39	4.72	0.77
1030250949	0115256	10" x 3 ½" — 250 x 110 mm	4.92	4.33	4.33	1.93	5.39	5.79	1.33
1030250950	0115257	10" x 4" — 250 x 125 mm	4.92	4.92	4.92	2.17	5.51	6.57	1.81
1030315052	0115260	12" to 14" x 2" — 315 to 355 x 63 mm	6.20/7.00	2.48	2.48	1.48	6.59	3.31	0.34
1030315053	0115261	12" to 14" x 2 ½" — 315 to 355 x 75 mm	6.20/7.00	2.95	2.95	1.65	6.67	3.94	0.51
1030315054	0115262	12" x 3" — 315 x 90 mm	6.20	3.54	3.54	1.77	6.67	4.27	0.80
1030315055	0115263	12" x 3 ½" — 315 x 110 mm	6.20	4.33	4.33	1.93	6.67	5.79	1.31
1030315056	0115264	12" x 4" — 315 x 125 mm	6.20	4.92	4.92	2.17	6.79	6.57	1.83
1030355058	0115268	14" x 3" — 355 x 90 mm	7.00	3.54	3.54	1.77	7.46	4.27	0.78
1030355059	0115269	14" x 3 ½" — 355 x 110 mm	7.00	4.33	4.33	1.93	7.46	5.79	1.29
1030355060	0115270	14" x 4" — 355 x 125 mm	7.00	4.92	4.92	2.17	7.58	6.57	1.79
1030500062	0115275	16" to 20" x 2 ½" — 400 to 500 x 75 mm	7.90/9.85	2.95	2.95	1.65	8.35	3.94	0.48
1030450063	0115277	16" to 18" x 3 ½" — 400 to 450 x 110 mm	7.90/8.85	4.33	4.33	1.93	8.35	5.79	1.18
1030400064	0115278	16" x 4" — 400 x 125 mm	7.90	4.92	4.92	2.17	8.46	6.57	1.53
1030500065	0115288	16" to 20" x 3" — 400 to 500 x 90 mm	7.90/9.85	3.54	3.54	1.77	9.33	4.27	0.73
1030500066	0115290	18" to 20" x 4" — 450 to 500 x 125 mm	8.85/9.85	4.92	4.92	2.17	9.45	6.57	1.48
1030630067	0115300	16" to 24" x 2" — 400 to 630 x 63 mm	7.90/12.4	2.48	2.48	1.48	10.2	3.31	1.10
1030630072	0115331	24" x 3 ½" — 630 x 110 mm	12.4	4.33	4.33	1.93	12.9	5.79	1.25

**aquatherm FUSION OUTLET (BUTT-FUSION, VARIABLE BRANCH)**

Allowances should be made for connection to dissimilar SDRs.

**NOTE: Verify the equipment to be used is compatible with the fittings when ordering.**

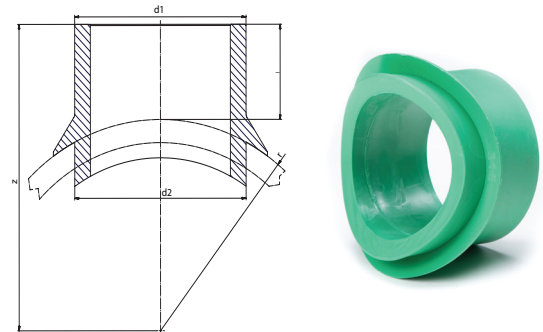


SDR	New Part no.	Old Part no.	Dimension pipe x outlet (ND — OD)	R	d1	d2	d3	d4	l1	l2	l3	Weight
				[in]	[in]	[in]	[in]	[in]	[in]	[in]	[in]	[in]
11	1034400008	0115280 <sup>a</sup>	16" x 6" to 10" — 400 x 160 to 250 mm	7.90	6.30	7.87	9.84	9.84	5.97	4.53	3	6.46
	1030450010	0115292 <sup>a</sup>	18" x 6" to 10" — 450 x 160 to 250 mm	8.86	6.30	7.87	9.84	9.84	5.97	4.53	3	6.61
	1034500012	0115306 <sup>a</sup>	20" x 6" to 10" — 500 x 160 to 250 mm	9.84	6.30	7.87	9.84	9.84	5.97	4.53	3	6.34
	1034630015	0115334 <sup>a</sup>	24" x 6" to 10" — 630 x 160 to 250 mm	12.4	6.30	7.87	9.84	9.84	5.97	4.53	3	6.68

<sup>a</sup> Molded fitting designed to accommodate a range of branch sizes. If needed, the fitting can be cut and butt welded to the larger diameters in the given range.

**aquatherm FUSION OUTLET (BUTT-FUSION, FIXED BRANCH)**

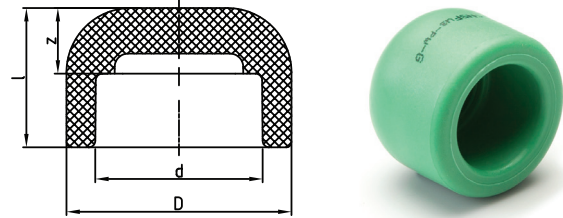
Allowances should be made for connection to dissimilar SDRs.



SDR	New Part no.	Old Part no.	Dimension pipe x outlet (ND — OD)	R	d1	d2	d3	d4	Weight
				[in]	[in]	[in]	[in]	[in]	[lb]
11	1034315057	0115265	12" x 6" — 315 x 160 mm	6.30	6.30	6.30	3.15	9.45	1.91
	1034355061	0115271	14" x 6" — 355 x 160 mm	7.00	6.30	6.30	3.15	10.2	1.91
	1034355004	0115272	14" x 8" — 355 x 200 mm	7.00	7.86	7.86	3.54	10.5	3.53
	1030450011	0115298	18" x 12" — 450 x 315 mm	8.85	12.4	12.4	3.54	12.4	8.52
	1034500013	0115312	20" x 12" — 500 x 315 mm	9.85	12.4	12.4	3.43	13.3	8.13
	1034630016	0115340	24" x 12" — 630 x 315 mm	12.4	12.4	12.4	2.66	16.1	8.53
9	1033315073	0315265	12" x 6" — 315 x 160 mm	6.20	6.30	6.30	2.51	9.35	1.83
	1033355074	0315271	14" x 6" — 355 x 160 mm	7.00	6.30	6.30	3.15	10.1	1.86

# PRODUCT RANGE - END CAPS

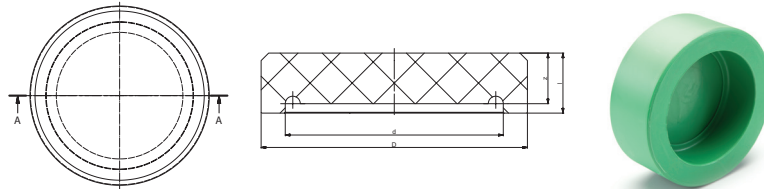
## aquatherm END CAP (SOCKET)



New Part no.	Old Part no.	Dimension (ND — OD)	d	z	L	D	Weight
			[in]	[in]	[in]	[in]	[lb]
1020020901	0114108	½" — 20 mm	0.79	0.37	0.94	1.16	0.02
1020025902	0114110	¾" — 25 mm	0.98	0.31	0.94	1.34	0.02
1020032903	0114112	1" — 32 mm	1.26	0.53	1.24	1.69	0.05
1020040904	0114114	1 ¼" — 40 mm	1.57	0.69	1.50	2.05	0.09
1020050905	0114116	1 ½" — 50 mm	1.97	0.83	1.75	2.68	0.18
1020063906	0114118	2" — 63 mm	2.48	0.96	2.05	3.31	0.32
1020075907	0114120	2 ½" — 75 mm	2.95	1.12	2.30	3.94	0.54
1020090908	0114122	3" — 90 mm	3.54	1.36	2.26	4.72	0.80
1020110909	0114124	3 ½" — 110 mm	4.33	1.10	2.56	5.79	1.40
1020125910	0114126	4" — 125 mm	4.92	1.18	3.19	6.57	1.92

## aquatherm END CAP (BUTT-FUSION)

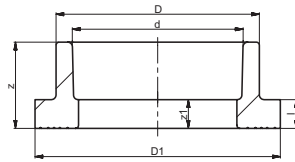
These fittings can be used with either the **aquatherm green pipe**® or **aquatherm blue pipe**® systems, but are all molded from the green **fusioleer**® material. The SDR of the fittings must match the SDR of the pipe.



SDR	New Part no.	Old Part no.	Dimension (ND — OD)	D	d	l	z	Weight
				[in]	[in]	[in]	[in]	[lb]
17.6	2027160001	2514130	6" — 160 mm	6.30	5.58	2.76	0.57	1.50
	2027200002	2514134	8" — 200 mm	7.87	6.98	3.15	0.72	2.04
	2027250003	2514138	10" — 250 mm	9.84	8.72	3.54	1.35	4.65
	2027315004	2514142	12" — 315 mm	12.4	11.0	2.76	2.36	6.53
	2027355005	2514144	14" — 355 mm	14.0	12.4	2.76	2.36	8.66
	2027400006	2514146	16" — 400 mm	15.8	14.0	2.95	2.56	13.6
	2027450007	2514148	18" — 450 mm	17.7	15.7	2.76	2.20	18.8
	2027500008	2514150	20" — 500 mm	19.7	17.5	2.95	2.44	27.6
2027630009	2514154	24" — 630 mm	24.8	22.0	3.54	3.07	51.8	
11	1024160911	0114131	6" — 160 mm	6.30	5.15	2.76	0.55	1.67
	1024200912	0114135	8" — 200 mm	7.87	6.44	3.15	0.72	2.36
	1024250913	0114139	10" — 250 mm	9.84	8.06	3.54	0.89	4.38
	1024315018	0114143	12" — 315 mm	12.4	10.1	2.76	2.07	13.7
	1024355019	0114145	14" — 355 mm	14.0	11.4	3.15	2.66	20.9
	1024400020	0114147	16" — 400 mm	15.8	12.9	2.76	2.36	18.8
1024450021	0114149	18" — 450 mm	17.7	14.5	3.15	2.76	26.9	
9	1023160022	0314130	6" — 160 mm	6.30	4.90	2.76	0.86	1.87
	1023200023	0314134	8" — 200 mm	7.87	6.11	3.15	1.18	3.03
	1023250024	0314138	10" — 250 mm	9.84	7.65	3.54	1.34	6.30
	1023315025	0314142	12" — 315 mm	12.4	9.63	2.76	2.07	11.2
	1023355026	0314144	14" — 355 mm	14.0	10.9	3.15	2.62	15.5
7.4	1022160911	0114130	6" — 160 mm	6.30	4.60	2.76	1.16	1.93
	1022200912	0114134	8" — 200 mm	7.87	5.75	3.15	1.08	3.08
	1022250913	0114138	10" — 250 mm	9.84	7.18	3.54	1.48	5.58

**aquatherm FLANGE ADAPTER (SOCKET)**

Socket fused. Gasket not included. All sizes are compatible with butterfly valves. Minimum 1/8" thickness gasket recommended.



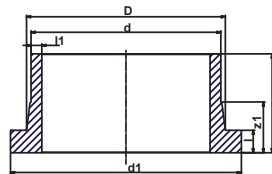
New Part no.	Old Part no.	Dimension (ND — OD)	d	z	z1	D	D1	l	Weight
			[in]	[in]	[in]	[in]	[in]	[in]	[lb]
1020032910	0115512	1" — 32 mm	1.26	1.34	0.63	1.61	2.68	0.39	0.12
1020040911	0115514	1 ¼" — 40 mm	1.57	1.40	0.59	1.97	3.07	0.43	0.16
1020050912	0115516	1 ½" — 50 mm	1.97	1.56	0.63	2.40	3.46	0.47	0.16
1020063913	0115518	2" — 63 mm	2.48	1.71	0.63	2.99	4.02	0.55	0.25
1020075914	0115520	2 ½" — 75 mm	2.95	1.81	0.63	3.54	4.80	0.63	0.37
1020090915	0115522	3" — 90 mm	3.54	1.97	0.67	4.25	5.43	0.67	0.58
1020110916	0115524	3 ½" — 110 mm	4.32	2.19	0.73	5.16	6.22	0.73	0.73
1020125917	0115526 <sup>a</sup>	4" — 125 mm	3.54	7.95	0.73	4.92	6.22	0.74	2.78

<sup>a</sup> Part no. 0115526 may be butt-fused or paired with a coupling (part no. 0111026, sold separately). Butt-fusion to SDR 17.6 pipe requires machining of the flange adapter—contact Aquatherm for pricing and delivery.

**aquatherm FLANGE ADAPTER (BUTT-FUSION)**

Butt fused. Gasket not included. Minimum 1/8" thickness gasket recommended.

**Note: The length of some fittings may not accommodate all butt-fusion equipment. Verify the equipment to be used is compatible with the fittings when ordering.**



SDR	New Part no. for butterfly valve	Old Part no. for butterfly valve	Dimension (ND — OD)	d	l	z	D	d1	l1	z1	Weight
				[in]	[in]	[in]	[in]	[in]	[in]	[in]	[in]
17.6	9792915530	2915530BV	6" — 160 mm	6.30	1.06	3.90	6.89	8.35	0.36	2.17	1.81
	9792915534	2915534BV	8" — 200 mm	7.87	1.26	5.12	9.13	10.6	0.45	2.83	4.08
	9792915538	2915538BV	10" — 250 mm	9.84	1.38	5.12	11.2	12.6	0.48	2.95	6.03
	9792915542	2915542BV	12" — 315 mm	12.4	0.98	6.61	13.2	14.6	0.70	3.23	9.92
	9792915544	2915544BV	14" — 355 mm	14.0	1.18	7.24	14.7	16.9	0.79	3.58	14.3
	9792915546	2915546BV	16" — 400 mm	15.8	1.30	7.68	16.8	19.0	0.89	3.82	18.7
	9792915548	2915548BV	18" — 450 mm	17.7	1.81	5.59	18.3	20.8	1.00	3.23	26.5
	9792915550	2915550BV	20" — 500 mm	19.7	1.81	5.43	20.9	23.0	1.12	3.07	21.6
9792915554	2915554BV	24" — 630 mm	24.8	1.97	5.51	25.3	27.0	1.41	3.15	27.8	
11	9790115531	0115531BV	6" — 160 mm	6.30	1.06	3.82	6.81	8.35	0.57	2.17	2.10
	9790115631	0115531LBBV <sup>b</sup>	6" — 160 mm	6.30	1.06	15.8	6.81	8.35	0.57	2.17	6.41
	9790115731	0115531LGBV <sup>b</sup>	6" — 160 mm	6.30	1.06	15.8	6.81	8.35	0.57	2.17	6.62
	9790115535	0115535BV	8" — 200 mm	7.87	1.26	5.12	9.13	10.6	0.72	2.83	4.31
	9790115539	0115539BV	10" — 250 mm	9.84	1.38	5.12	11.2	12.6	0.89	2.95	5.99
	9790115543	0115543BV	12" — 315 mm	12.4	1.38	6.61	13.2	14.6	1.13	3.23	12.5
	9790115545	0115545BV	14" — 355 mm	14.0	1.57	7.09	14.7	16.9	1.27	3.54	19.8
	9790115547	0115547BV	16" — 400 mm	15.8	1.81	7.68	16.8	19.0	1.43	3.94	26.5
9790115549	0115549BV	18" — 450 mm	17.7	2.36	5.47	18.3	20.8	1.61	3.11	36.4	
9	9790315530	0315530BV	6" — 160 mm	6.30	0.98	3.66	6.89	8.35	0.70	2.09	2.53
	9790315534	0315534BV	8" — 200 mm	7.87	1.26	5.12	9.13	10.6	0.88	2.83	5.05
	9790315538	0315538BV	10" — 250 mm	9.84	1.38	5.12	11.2	12.6	1.10	2.95	7.30
	9790315542	0315542BV	12" — 315 mm	12.4	2.05	6.79	13.3	14.6	3.35	3.35	12.4
	9790315544	0315544BV	14" — 355 mm	14.0	3.03	8.54	14.8	17.0	1.56	5.00	31.6
7.4	9790115530	0115530BV	6" — 160 mm	6.30	1.00	3.63	6.89	8.38	0.86	2.09	2.56
	9790115630	0115530LBV <sup>b</sup>	6" — 160 mm	6.30	1.00	15.6	6.89	8.38	0.86	2.09	9.11
	9790115534	0115534BV	8" — 200 mm	7.87	1.26	5.12	9.13	10.6	1.08	2.83	5.05
	9790115538	0115538BV	10" — 250 mm	9.84	1.38	5.12	11.2	12.6	1.35	2.95	7.27

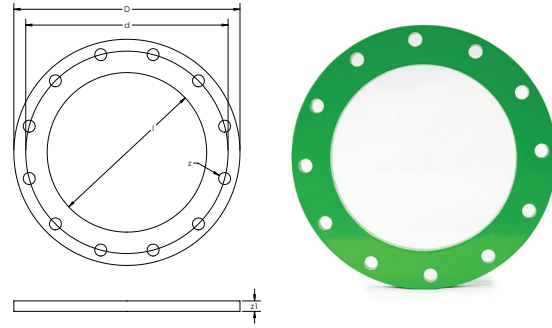
<sup>a</sup> Includes 1-ft extension of **aquatherm green pipe**®.

<sup>b</sup> Includes 1-ft extension of **aquatherm blue pipe**®.

# PRODUCT RANGE - FLANGE

## aquatherm FLANGE RING

Carbon steel with green epoxy powder coating, American bolt pattern. ASME B16.5, Class 150 bolt pattern. Made in China. Class 300 rings available on special request. If ordering for a U.S. government/military project, please contact your Regional Sales Manager.



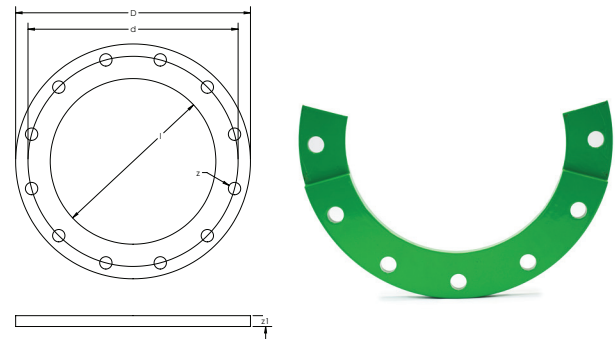
New Part No.	Old Part No.	Dimension (ND — OD)	No. of bolt holes	D	d	l	z	z1	Weight
				[in]	[in]	[in]	[in]	[in]	[lb]
9793315712	3315712	1" — 32 mm	4	4.63	3.13	1.63	0.63	0.63	2.38
9793315714	3315714	1 ¼" — 40 mm	4	4.63	3.50	2.00	0.63	0.63	2.20
9793315716	3315716	1 ½" — 50 mm	4	5.00	3.88	2.44	0.63	0.63	2.47
9793315718	3315718	2" — 63 mm	4	6.00	4.75	3.06	0.75	0.63	3.37
9793315720	3315720	2 ½" — 75 mm	4	7.00	5.50	3.63	0.75	0.63	4.96
9793315722	3315722 <sup>a</sup>	3" — 90 mm	8	7.50	6.00	4.34	0.75	0.63	4.70
9793315724	3315724 <sup>a</sup>	3 ½" — 110 mm	8	8.50	7.00	5.25	0.75	0.63	5.73
9793315726	3315726	4" — 125 mm	8	9.00	7.50	5.25	0.75	0.63	6.94
9793315730	3315730	6" — 160 mm	8	11.0	9.50	7.00	0.88	0.69	10.5
9793315734	3315734	8" — 200 mm	8	13.5	11.8	9.31	0.88	0.69	14.2
9793315738	3315738	10" — 250 mm	12	16.0	14.3	11.3	1.00	0.75	19.7
9793315742	3315742	12" — 315 mm	12	19.0	17.0	13.4	1.00	0.88	34.2
9793315744	3315744	14" — 355 mm	12	21.0	18.8	15.0	1.12	0.88	40.1
9793315746	3315746	16" — 400 mm	16	23.5	21.3	16.9	1.12	0.88	48.1
9793315748	3315748	18" — 450 mm	16	25.0	22.8	18.8	1.25	0.88	48.5
9793315750	3315750	20" — 500 mm	20	27.0	25.0	20.8	1.25	1.00	65.7
9793315754	3315754	24" — 630 mm	20	32.0	29.5	25.4	1.38	1.13	87.1

<sup>a</sup> Flange ring will have 8 holes, but only 4 holes will be used when mating up to steel flanges in the same size.

Flange rings are supplied from China. If purchasing requirements mandate materials from a Designated Country per the Trade Agreements Act (FAR 52.225-5), please contact your Aquatherm Regional Sales Manager for pricing and availability.

**aquatherm SPLIT FLANGE RING**

Carbon steel with green epoxy powder coating, American bolt pattern. ASME B16.5, Class 150 bolt pattern. Flange rings are supplied from China. If purchasing requirements mandate materials from a Designated Country per the Trade Agreements Act (FAR 52.225-5), please contact Aquatherm for pricing and availability.

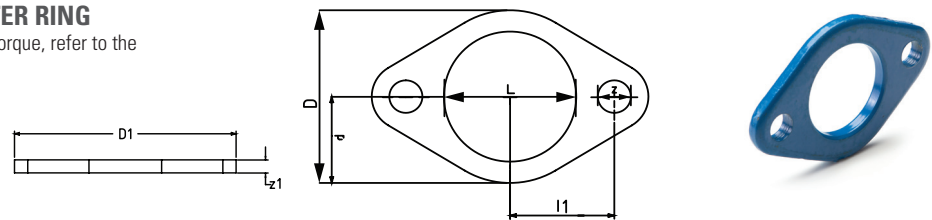


New Part No.	Old Part No.	Dimension (ND — OD)	No. of bolt holes	D	d	l	z	z1	Weight [lb]
				[in]	[in]	[in]	[in]	[in]	
9790615712	0615712	1" — 32 mm	4	4.25	3.13	1.63	0.62	0.63	2.38
9790615714	0615714	1 ¼" — 40 mm	4	4.62	3.50	2.00	0.62	0.63	2.20
9790615716	0615716	1 ½" — 50 mm	4	5.00	3.88	2.44	0.62	0.63	2.47
9790615718	0615718	2" — 63 mm	4	6.00	4.75	3.06	0.75	0.63	3.37
9790615720	0615720	2 ½" — 75 mm	4	7.00	5.50	3.63	0.75	0.63	4.96
9790615722	0615722 <sup>a</sup>	3" — 90 mm	8	7.50	6.00	4.34	0.75	0.63	4.70
9790615724	0615724 <sup>a</sup>	3 ½" — 110 mm	8	8.50	7.00	5.25	0.75	0.63	5.73
9790615726	0615726	4" — 125 mm	8	9.00	7.50	5.25	0.75	0.63	6.94
9790615730	0615730	6" — 160 mm	8	11.0	9.50	7.00	0.88	0.69	10.5
9790615734	0615734	8" — 200 mm	8	13.5	11.8	9.31	0.88	0.69	14.2
9790615738	0615738	10" — 250 mm	12	16.0	14.3	11.3	1.00	0.75	19.7
9790615742	0615742	12" — 315 mm	12	19.0	17.0	13.4	1.00	0.88	34.2
9790615744	0615744	14" — 355 mm	12	21.0	18.8	15.0	1.12	0.88	40.1
9790615746	0615746	16" — 400 mm	16	23.5	21.3	16.9	1.12	0.88	48.1
9790615748	0615748	18" — 450 mm	16	25.0	22.8	18.8	1.25	0.88	48.5
9790615750	0615750	20" — 500 mm	20	27.5	25.0	20.8	1.25	1.00	65.7
9790615754	0615754	24" — 630 mm	20	31.8	29.5	25.4	1.38	1.13	87.1

<sup>a</sup> Flange ring will have 8 holes, but only 4 holes will be used when mating up to steel flanges in the same size.

**aquatherm PUMP FLANGE ADAPTER RING**

American bolt pattern. For flange bolt size and torque, refer to the Aquatherm Installer Manual.



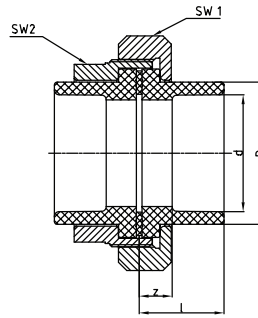
New Part No.	Old Part No.	Dimension (ND — OD)	d	L	z	D	l	D1	z1	Weight [lb]
			[in]	[in]	[in]	[in]	[in]	[in]	[in]	
9795515712	5515712	1" — 32 mm pump flange ring - blue (used with part no. 0115512)	1.33	1.75	0.50	2.66	1.58	4.18	0.25	0.36
9795515713	5515713	1 ¼" — 40 mm pump flange ring (used with part no. 0115514)	1.33	2.00	0.50	2.66	1.58	4.18	0.25	0.30
9795515714	5515714	1 ¼" — 40 mm pump flange ring (used with part no. 0115514, fitted Grundfos model UP4375)	1.50	2.00	0.50	3.00	1.75	4.80	0.25	0.43

Flange rings are supplied from China. If purchasing requirements mandate materials from a Designated Country per the Trade Agreements Act (FAR 52.225-5), please contact your Aquatherm Regional Sales Manager for pricing and availability.



# PRODUCT RANGE - UNIONS

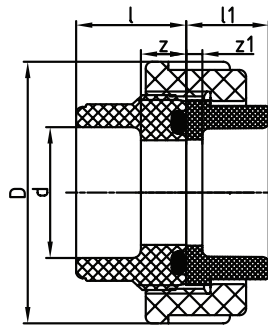
## aquatherm UNION WITH BRASS NUT



New Part no.	Old Part No.	Dimension (ND — OD)	d	l	z	D	SW1	SW2	Weight
			[in]	[in]	[in]	[in]	[in]	[in]	[in]
1050032040	0115812	1" — 32 mm	1.26	1.44	0.73	1.61	2.52	1.97	1.06
1050040041	0115814	1 ¼" — 40 mm	1.57	1.50	0.69	1.97	3.15	2.36	1.85
1050050042	0115816	1 ½" — 50 mm	1.97	1.61	0.69	2.40	3.39	2.76	1.81
1050063043	0115818	2" — 63 mm	2.48	1.77	0.69	2.99	4.25	3.54	3.30
1050075044	0115820	2 ½" — 75 mm	2.95	1.22	0.69	3.54	5.04	4.09	4.40

Replacement gaskets available upon request.

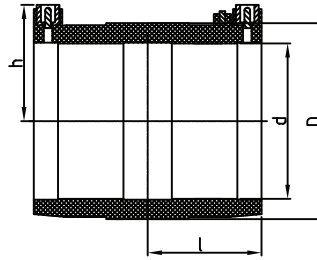
## aquatherm UNION WITH PP-R NUT



New Part No.	Old Part No.	Dimension (ND — OD)	d	l	z	l1	z1	D	Weight
			[in]	[in]	[in]	[in]	[in]	[in]	[in]
1050020050	0115838	½" — 20 mm	0.79	1.02	0.47	0.79	0.22	1.81	0.08
1050025051	0115840	¾" — 25 mm	0.98	1.10	0.47	0.83	0.20	2.20	0.13
1050032052	0115842	1" — 32 mm	1.26	1.26	0.47	0.91	0.20	2.60	0.20
1050040053	0115844	1 ¼" — 40 mm	1.57	1.50	0.55	1.00	0.20	3.11	0.30
1050050054	0115846	1 ½" — 50 mm	1.97	1.77	0.63	1.12	0.20	3.43	0.37
1050063055	0115848	2" — 63 mm	2.48	2.19	0.79	1.28	0.20	4.21	0.53
1050075056	0115850	2 ½" — 75 mm	2.95	1.97	0.79	1.42	0.24	5.04	1.20

Replacement O-rings available upon request.

**aquatherm ELECTROFUSION COUPLING**



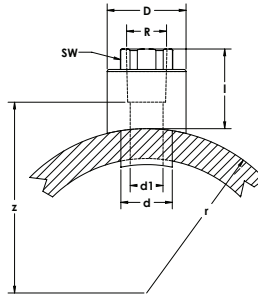
New Part no.	Old Part No.	Dimension (ND — OD)	d	l	h	D	Weight
			[in]	[in]	[in]	[in]	[lb]
1040020984	0117208	½" — 20 mm	0.79	1.38	1.42	1.24	0.11
1040025985	0117210	¾" — 25 mm	0.98	1.54	1.52	1.44	0.13
1040032986	0117212	1" — 32 mm	1.26	1.57	1.67	1.77	0.17
1040040987	0117214	1 ¼" — 40 mm	1.57	1.81	1.85	2.13	0.23
1040050988	0117216	1 ½" — 50 mm	1.97	2.03	2.05	2.56	0.31
1040063989	0117218	2" — 63 mm	2.48	2.32	2.28	3.21	0.53
1040075990	0117220	2 ½" — 75 mm	2.95	2.56	2.54	3.78	0.77
1040090991	0117222	3" — 90 mm	3.54	2.85	2.83	4.47	1.10
1040110992	0117224	3 ½" — 110 mm	4.33	3.15	3.25	5.47	1.81
1040125993	0117226	4" — 125 mm	4.92	3.39	3.54	6.14	2.42
1040160994	0117230 <sup>a</sup>	6" — 160 mm	6.30	3.66	4.31	7.76	3.87
1040200995	0117234 <sup>a</sup>	8" — 200 mm	7.87	4.13	5.28	9.57	7.99
1040250996	0117238 <sup>a</sup>	10" — 250 mm	9.84	4.92	6.69	12.4	15.8

<sup>a</sup> Cannot be used in conjunction with UV pipe.

# PRODUCT RANGE - TRANSITION FITTINGS

## aquatherm NPT FUSION OUTLET (female)

Includes hex-shaped female thread, weld-in surface and weld-in socket for fusion with the inner wall of the pipe. The necessary fusion outlet heads are listed on pages 59-60 (part no. 0050614 - 0050744).

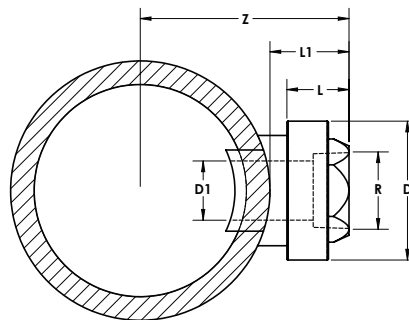


New Part No. (NPT) Zero-lead (potable) brass	Old Part No. (NPT) Zero-lead (potable) brass	New Part No. (ISO) Stainless steel	Old Part No. (ISO) Stainless steel	Dimension pipe x outlet (ND — OD) x thread	r	d	d1	R	l	z	D	SW	Weight
					[in]	[in]	[in]	[in]	[in]	[in]	[in]	[in]	[in]
1030040910	0628214	1030040104	0928214	1 ¼" x ½" — 40 x 25 mm x ½" F	0.79	0.98	0.63	0.50	1.54	1.69	1.52	0.94	0.19
1030050911	0628216	1030050110	0928216	1 ½" x ½" — 50 x 25 mm x ½" F	0.99	0.98	0.63	0.50	1.54	1.89	1.52	0.94	0.20
1030063912	0628218	1030063116	0928218	2" x ½" — 63 x 25 mm x ½" F	1.24	0.98	0.63	0.50	1.54	2.15	1.52	0.94	0.20
1030075913	0628220	1030075123	0928220	2 ½" x ½" — 75 x 25 mm x ½" F	1.48	0.98	0.63	0.50	1.54	2.11	1.52	0.94	0.18
1030090915	0628222	1030090131	0928222	3" x ½" — 90 x 25 mm x ½" F	1.77	0.98	0.63	0.50	1.54	2.17	1.52	0.94	0.20
1030110817	0628224	1030110139	0928224	3 ½" x ½" — 110 x 25 mm x ½" F	2.17	0.98	0.63	0.50	1.54	3.07	1.52	0.94	0.20
1030125916	0628226	1030125147	0928226	4" x ½" — 125 x 25 mm x ½" F	2.46	0.98	0.63	0.50	1.54	3.37	1.52	0.94	0.20
1030160917	0628230	1030160155	0928230	6" x ½" — 160 x 25 mm x ½" F	3.15	0.98	0.63	0.50	1.54	4.06	1.52	0.94	0.20
1030250918	0628232	1030250161	0928232	8 to 10" x ½" — 200 to 250 x 25 mm x ½" F	3.94	0.98	0.63	0.50	1.54	1.50	1.52	0.94	0.20
1030040919	0628234	1030040105	0928234	1 ¼" x ¾" — 40 x 25 mm x ¾" F	0.79	0.98	0.64	0.75	1.54	1.69	1.71	1.22	0.24
1030050920	0628236	1030050111	0928236	1 ½" x ¾" — 50 x 25 mm x ¾" F	0.99	0.98	0.64	0.75	1.54	1.95	1.71	1.22	0.24
1030063921	0628238	1030063117	0928238	2" x ¾" — 63 x 25 mm x ¾" F	1.24	0.98	0.64	0.75	1.54	2.19	1.71	1.22	0.24
1030075922	0628240	1030075124	0928240	2 ½" x ¾" — 75 x 25 mm x ¾" F	1.48	0.98	0.64	0.75	1.54	2.48	1.71	1.22	0.24
1030090923	0628242	1030090132	0928242	3" x ¾" — 90 x 25 mm x ¾" F	1.77	0.98	0.64	0.75	1.54	2.87	1.71	1.22	0.24
1030110924	0628244	1030110140	0928244	3 ½" x ¾" — 110 x 25 mm x ¾" F	2.17	0.98	0.64	0.75	1.54	3.17	1.71	1.22	0.24
1030125926	0628246	1030125148	0928246	4" x ¾" — 125 x 25 mm x ¾" F	2.46	0.98	0.64	0.75	1.54	3.78	1.71	1.22	0.25
1030160826	0628250	1030160156	0928250	6" x ¾" — 160 x 25 mm x ¾" F	3.15	0.98	0.64	0.75	1.54	2.30	1.71	1.22	0.25
1030250927	0628254	1030250162	0928254	8 to 10" x ¾" — 200 to 250 x 25 mm x ¾" F	3.94	0.98	0.64	0.75	1.54	2.60	1.71	1.22	0.25
(NPT)													
1030075928	0628260	1030075986	1128260	2 ½" x 1" — 75 x 32 mm x 1" F	1.48	1.26	0.82	1.00	1.69	2.99	2.36	1.54	0.49
1030090929	0628262	1030090987	1128262	3" x 1" — 90 x 32 mm x 1" F	1.77	1.26	0.82	1.00	1.69	3.29	2.36	1.54	0.49
1030110930	0628264	-	-	3 ½" x 1" — 110 x 32 mm x 1" F	2.17	1.26	0.82	1.00	1.69	3.98	2.36	1.54	0.49
1030125931	0628266	1030125988	1128266	4" x 1" — 125 x 32 mm x 1" F	2.46	1.26	0.82	1.00	1.69	4.84	2.36	1.54	0.49
1030160832	0628270	1030160989	1128270	6" x 1" — 160 x 32 mm x 1" F	3.15	1.26	0.82	1.00	1.69	4.65	2.36	1.54	0.50
1030250933	0628274	1030250990	1128274	8 to 10" x 1" — 200 to 250 x 32 mm x 1" F	3.94	1.26	0.82	1.00	1.69	4.76	2.36	1.54	0.54

# PRODUCT RANGE - TRANSITION FITTINGS

## aquatherm FLOW METER WELL

May also be used for thermometer well. Other sizes are readily available upon request. Additional sizes and combinations are available. Contact Aquatherm for availability and cost.

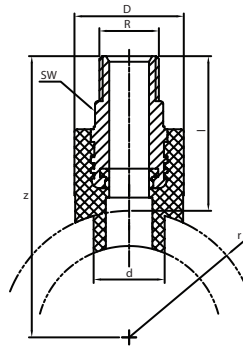


New Part No. (NPT) Zero-lead (potable) brass	Old Part No. (NPT) Zero-lead (potable) brass	New Part No. (ISO)Stainless steel	Old Part No. (ISO) Stainless steel	Dimension pipe x thread	L	L1	R	D	D1	Z	Weight
					[in]	[in]	[in]	[in]	[in]	[in]	[lb]
9790628480	0628480	9791128480	1128480	2" x 1¼" F	1.68	2.21	1.25	2.91	1.14	3.69	0.81
9790628481	0628481	9791128481	1128481	2 ½" x 1¼" F	1.68	2.21	1.25	2.91	1.14	3.69	-
9790628482	0628482	9791128482	1128482	3" x 1¼" F	1.68	2.21	1.25	2.91	1.14	3.98	-
9790628483	0628483	9791128483	1128483	3 ½" x 1¼" F	1.68	2.21	1.25	2.91	1.14	4.38	-
9790628484	0628484	9791128484	1128484	4" x 1¼" F	1.68	2.21	1.25	2.91	1.14	4.67	-
9790628485	0628485	9791128485	1128485	6" x 1¼" F	1.68	2.21	1.25	2.91	1.14	5.36	-
9790628486	0628486	9791128486	1128486	8" x 1¼" F	1.68	2.21	1.25	2.91	1.14	6.15	-
9790628487	0628487	9791128487	1128487	10" x 1¼" F	1.68	2.21	1.25	2.91	1.14	7.13	-
9790628500	0628500	9791128500	1128500	4" x 1½" F	1.72	2.13	1.50	3.38	1.44	4.59	0.89
9790628501	0628501	9791128501	1128501	6" x 1½" F	1.72	2.13	1.50	3.38	1.44	5.28	-
9790628502	0628502	9791128502	1128502	8" x 1½" F	1.72	2.13	1.50	3.38	1.44	6.07	-
9790628503	0628503	9791128503	1128503	10" x 1½" F	1.72	2.13	1.50	3.38	1.44	7.05	-
9790628520	0628520	9791128520	1128520	4" x 2" F	1.88	2.36	2.00	3.88	1.81	4.82	1.21
9790628521	0628521	9791128521	1128521	6" x 2" F	1.88	2.36	2.00	3.88	1.81	5.51	-
9790628522	0628522	9791128522	1128522	8" x 2" F	1.88	2.34	2.00	3.88	1.81	6.28	-
9790628523	0628523	9791128523	1128523	10" x 2" F	1.88	2.34	2.00	3.88	1.81	7.26	-
9790628524	0628524	9791128524	1128524	12" to 14" x 2" F	1.88	2.34	2.00	3.88	1.81	8.54	-
9790628525	0628525	9791128525	1128525	16" to 24" x 2" F	1.88	4.24	2.00	3.88	1.81	12.2	-

# PRODUCT RANGE - TRANSITION FITTINGS

## aquatherm NPT FUSION OUTLET (male)

Includes hex-shaped male thread, weld-in surface and weld-in socket for fusion with the inner wall of the pipe. The necessary fusion outlet heads are listed on pages 59-60 (part no. 0050614 - 0050744).

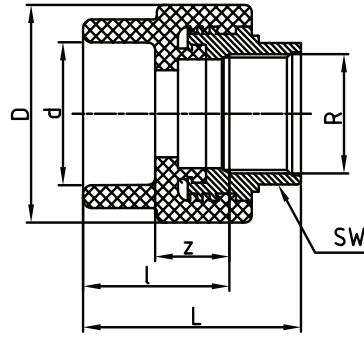


New Part No. (NPT) Zero-lead (potable) brass	Old Part No. (NPT) Zero-lead (potable) brass	Dimension pipe x outlet (ND — OD) x thread	r	d	l	z	D	R	SW	Weight
			[in]	[in]	[in]	[in]	[in]	[in]	[in]	[in]
1030040934	0628314	1 ¼" x ¾" — 40 x 25 mm x ½" M	0.79	0.98	2.17	2.95	1.52	0.50	0.83	0.19
1030050935	0628316	1 ½" x ¾" — 50 x 25 mm x ½" M	0.99	0.98	2.17	3.15	1.52	0.50	0.83	0.20
1030063936	0628318	2" x ¾" — 63 x 25 mm x ½" M	1.24	0.98	2.17	3.41	1.52	0.50	0.83	0.20
1030075937	0628320	2 ½" x ¾" — 75 x 25 mm x ½" M	1.48	0.98	2.17	3.64	1.52	0.50	0.83	0.21
1030075938	0628322	3" x ¾" — 90 x 25 mm x ½" M	1.77	0.98	2.17	3.94	1.52	0.50	0.83	0.20
1030110939	0628324	3 ½" x ¾" — 110 x 25 mm x ½" M	2.17	0.98	2.17	4.33	1.52	0.50	0.83	0.20
1030025940	0628326	4" x ¾" — 125 x 25 mm x ½" M	2.46	0.98	2.17	4.63	1.52	0.50	0.83	0.20
1030160941	0628330	6" x ¾" — 160 x 25 mm x ½" M	3.15	0.98	2.17	5.31	1.52	0.50	0.83	0.20
1030040942	0628334	1 ¼" x ¾" — 40 x 25 mm x ¾" M	0.79	0.98	2.20	2.99	1.71	0.75	0.94	0.24
1030050943	0628336	1 ½" x ¾" — 50 x 25 mm x ¾" M	0.99	0.98	2.20	3.19	1.71	0.75	0.94	0.24
1030063944	0628338	2" x ¾" — 63 x 25 mm x ¾" M	1.24	0.98	2.20	3.44	1.71	0.75	0.94	0.24
1030075945	0628340	2 ½" x ¾" — 75 x 25 mm x ¾" M	1.48	0.98	2.20	3.68	1.71	0.75	0.94	0.24
1030090946	0628342	3" x ¾" — 90 x 25 mm x ¾" M	1.77	0.98	2.20	3.98	1.71	0.75	0.94	0.24
1030110947	0628344	3 ½" x ¾" — 110 x 25 mm x ¾" M	2.17	0.98	2.20	4.37	1.71	0.75	0.94	0.24
1030125948	0628346	4" x ¾" — 125 x 25 mm x ¾" M	2.46	0.98	2.20	4.67	1.71	0.75	0.94	0.25
1030160949	0628350	6" x ¾" — 160 x 25 mm x ¾" M	3.15	0.98	2.20	5.35	1.71	0.75	0.94	0.25

# PRODUCT RANGE - TRANSITION FITTINGS

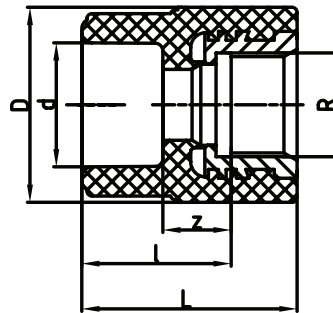
## aquatherm NPT TRANSITION PIECE (female)

With hex-shaped threaded transition.



New Part No. (NPT) Zero-lead (potable) brass	Old Part No. (NPT) Zero-lead (potable) brass	New Part No. (ISO)Stainless steel	Old Part No. (ISO) Stainless steel	Dimension PP-R (ND — OD) x thread	d	R	l	z	D	L	SW	Weight
					[in]	[in]	[in]	[in]	[in]	[in]	[in]	[lb]
1070020915	0621108	-	-	(½" — 20 mm) x ½" F	0.79	0.50	1.36	0.79	1.48	1.99	0.94	0.17
1070020916	0621110	-	-	(½" — 20 mm) x ¾" F	0.79	0.75	1.14	0.57	1.71	1.97	1.22	0.25
1070025917	0621111	-	-	(¾" — 25 mm) x ½" F	0.98	0.50	1.42	0.79	1.48	2.05	0.94	0.20
1070025918	0621112	-	-	(¾" — 25 mm) x ¾" F	0.98	0.75	1.14	0.51	1.71	1.97	1.22	0.24
1070032919	0621113	-	-	(1" — 32 mm) x ¾" F	1.26	0.75	1.26	0.55	1.71	2.09	1.22	0.25
(NPT)												
1070032920	0621114	1070032968	1121114	(1" — 32 mm) x 1" F	1.26	1.00	1.48	0.77	2.36	2.34	1.54	0.53
1070040921	0621115	1070040969	1121115	(1 ¼" — 40 mm) x 1" F	1.57	1.00	1.57	0.77	2.36	2.44	1.54	0.50
1070040922	0621116	-	1121116	(1 ¼" — 40 mm) x 1 ¼" F	1.57	1.25	1.57	0.77	2.91	2.48	1.97	0.85
1070050923	0621117	1070050970	1121117	(1 ½" — 50 mm) x 1 ¼" F	1.97	1.25	1.69	0.77	2.91	2.60	1.97	0.89
1070050924	0621118	1070050971	1121118	(1 ½" — 50 mm) x 1 ½" F	1.97	1.50	1.77	0.85	3.37	2.64	2.17	0.92
1070063925	0621119	1070063972	1121119	(2" — 63 mm) x 1 ½" F	2.48	1.50	2.03	0.94	3.31	2.89	2.17	0.97
1070063926	0621120	1070063973	1121120	(2" — 63 mm) x 2" F	2.48	2.00	2.01	0.93	3.98	3.03	2.64	1.32
1070075927	0621122	-	-	(2 ½" — 75 mm) x 2" F	2.95	2.00	2.01	0.83	3.94	3.03	2.64	1.34

## aquatherm TRANSITION PIECE round (female)

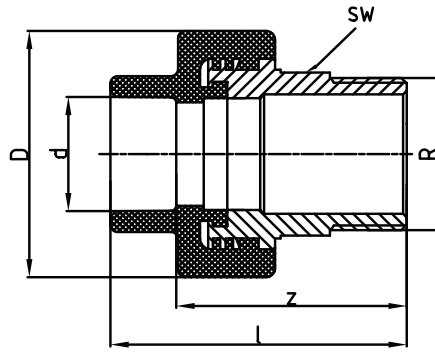


New Part No. (NPT) Zero-lead (potable) brass	Old Part No. (NPT) Zero-lead (potable) brass	New Part No. (ISO)Stainless steel	Old Part No. (ISO) Stainless steel	Dimension PP-R (ND — OD) x thread	d	R	l	z	D	L	Weight
					[in]	[in]	[in]	[in]	[in]	[in]	[lb]
1070020910	0621008	1070020060	0921008	(½" — 20 mm) x ½" F	0.79	0.50	1.08	0.51	1.48	1.59	0.14
1070020911	0621010	1070020061	0921010	(½" — 20 mm) x ¾" F	0.79	0.75	1.08	0.51	1.71	1.59	0.20
1070025912	0621011	1070025062	0921011	(¾" — 25 mm) x ½" F	0.98	0.50	1.59	0.51	1.48	1.65	0.14
1070025913	0621012	1070025063	0921012	(¾" — 25 mm) x ¾" F	0.98	0.75	1.08	0.45	1.71	1.59	0.19
1070032914	0621013	1070032064	0921013	(1" — 32 mm) x ¾" F	1.26	0.75	1.20	0.49	1.71	1.71	0.20

# PRODUCT RANGE - TRANSITION FITTINGS

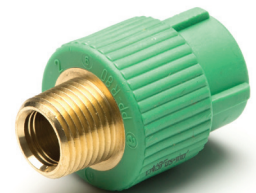
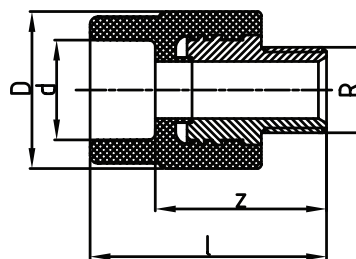
## aquatherm NPT TRANSITION PIECE (male)

With hex-shaped threaded transition.



New Part No. (NPT) Zero-lead (potable) brass	Old Part No. (NPT) Zero-lead (potable) brass	Dimension PP-R (ND — OD) x thread	d	R	l	z	D	SW	Weight
			[in]	[in]	[in]	[in]	[in]	[in]	[lb]
1070020833	0621308	(½" — 20 mm) x ½" M	0.79	0.50	2.62	2.05	1.52	0.87	0.23
1070020834	0621310	(½" — 20 mm) x ¾" M	0.79	0.75	2.66	2.09	1.52	0.94	0.28
1070025835	0621312	(¾" — 25 mm) x ¾" M	0.98	0.75	2.66	2.03	1.52	0.94	0.23
1070032936	0621314	(1" — 32 mm) x 1" M	1.26	1.00	3.09	2.38	2.09	1.18	0.48
1070032837	0621316	(1" — 32 mm) x 1 ¼" M	1.26	1.25	3.19	2.48	2.68	1.61	0.70
1070040938	0621317	(1 ¼" — 40 mm) x 1" M	1.57	1.00	3.19	2.38	2.05	1.18	0.49
1070040939	0621318	(1 ¼" — 40 mm) x 1 ¼" M	1.57	1.25	3.33	2.52	2.68	1.61	0.71
1070050940	0621319	(1 ½" — 50 mm) x 1 ¼" M	1.97	1.25	3.37	2.44	2.68	1.61	0.77
1070050941	0621320	(1 ½" — 50 mm) x 1 ½" M	1.97	1.50	3.48	2.56	2.91	1.81	0.94
1070063942	0621321	(2" — 63 mm) x 1 ½" M	2.48	1.50	3.72	2.64	2.85	1.81	1.03
1070063943	0621322	(2" — 63 mm) x 2" M	2.48	2.00	4.04	2.95	3.31	1.97	1.51
1070075944	0621323	(2 ½" — 75 mm) x 2" M	2.95	2.00	4.02	2.83	3.31	1.97	1.61
1070075945	0621324	(2 ½" — 75 mm) x 2 ½" M	2.95	2.50	4.13	2.95	3.94	2.56	2.14
1070090946	0621325	(3" — 90 mm) x 3" M	3.54	3.00	4.76	3.46	4.72	3.35	2.92
1070110947	0621327	(3 ½" — 110 mm) x 4" M	4.33	4.00	5.83	4.37	5.79	4.13	6.02

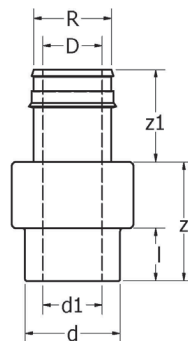
## aquatherm TRANSITION PIECE round (male)



New Part No. (NPT) Zero-lead (potable) brass	Old Part No. (NPT) Zero-lead (potable) brass	New Part No. (ISO)Stainless steel	Old Part No. (ISO) Stainless steel	Dimension PP-R (ND — OD) x thread	d	R	l	z	D	Weight
					[in]	[in]	[in]	[in]	[in]	[lb]
1070020928	0621208	1070020074	0921208	(½" — 20 mm) x ½" M	0.79	0.50	2.22	1.65	1.52	0.19
1070020929	0621210	1070020075	0921210	(½" — 20 mm) x ¾" M	0.79	0.75	2.26	1.69	1.52	0.24
1070025930	0621211	1070025076	0921211	(¾" — 25 mm) x ½" M	0.98	0.50	2.28	1.65	1.52	0.22
1070025931	0621212	1070025077	0921212	(¾" — 25 mm) x ¾" M	0.98	0.75	2.26	1.63	1.52	0.20
1070032932	0621213	1070032078	0921213	(1" — 32 mm) x ¾" M	1.26	0.75	2.34	1.63	1.69	0.25

## aquatherm PEX ADAPTER (EXPANSION)

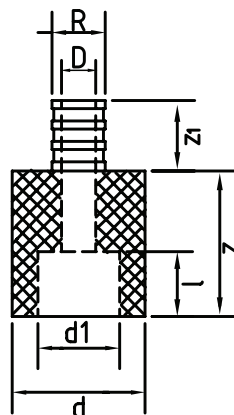
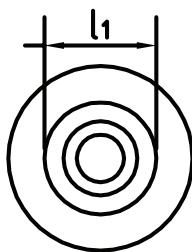
Built to ASTM F1960 standard with PP-R street connection. The brass in this fitting meets the zero-lead (<0.25%) potable water requirement.



New Part No. (NPT) Zero-lead (potable) brass	Old Part No. (NPT) Zero-lead (potable) brass	Dimension (ND — OD)	d	R	l	z	D	z1	d1	Weight
			[in]	[in]	[in]	[in]	[in]	[in]	[in]	[lb]
1070020006	0098840	½" (20 mm) PP-R to ½" PEX	0.79	0.61	0.42	1.15	0.38	0.73	0.52	0.09
	0098841	¾" (25 mm) PP-R to ¾" PEX	0.98	0.87	0.49	1.20	0.60	0.96	0.65	0.13
1070032005	0098842	1" (32 mm) PP-R to 1" PEX	1.26	1.00	0.69	1.56	0.80	1.20	0.83	0.21

## aquatherm PEX ADAPTER (CRIMP)

Built to ASTM F1807 standard with PP-R socket connection. The brass in this fitting meets the zero-lead (<0.25%) potable water requirement.



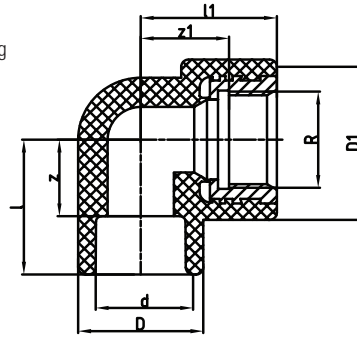
New Part No. (NPT) Zero-lead (potable) brass	Old Part No. (NPT) Zero-lead (potable) brass	Dimension (ND — OD)	d	R	l	z	D	l1	z1	d1	Weight
			[in]	[in]	[in]	[in]	[in]	[in]	[in]	[in]	[lb]
1070020012	0098840	½" (20 mm) PP-R to ½" PEX	1.13	0.47	0.63	1.25	0.35	0.75	0.63	0.75	0.09
1070025009	0098841	¾" (25 mm) PP-R to ¾" PEX	1.38	0.67	0.63	1.38	0.53	1.00	0.63	0.88	0.13
1070032010	0098842	1" (32 mm) PP-R to 1" PEX	1.75	0.86	0.88	1.63	0.71	1.25	0.80	1.25	0.21



# PRODUCT RANGE - TRANSITION FITTINGS

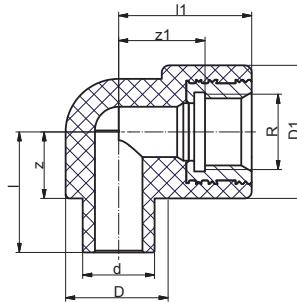
## aquatherm TRANSITION ELBOW (female)

Built to ASTM F1807 standard with PP-R socket connection. The brass in this fitting meets the zero-lead (<0.25%) potable water requirement.



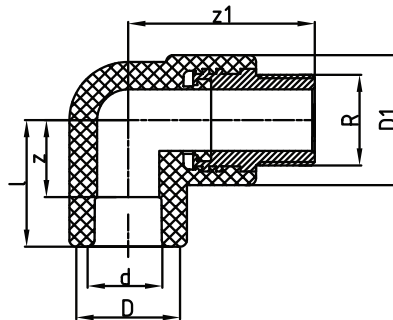
New Part No. (NPT) Zero-lead (potable) brass	Old Part No. (NPT) Zero-lead (potable) brass	New Part No. (ISO) Stainless steel	Old Part No. (ISO) Stainless steel	Dimension PP-R (ND — OD) x thread	d	R	l	z	D	l1	z1	D1	Weight
					[in]	[in]	[in]	[in]	[in]	[in]	[in]	[in]	[in]
1070020950	0623008	1070020110	0923008	(½" — 20 mm) x ¾" F	0.79	0.75	1.46	0.89	1.34	1.46	0.94	1.73	0.22
1070020951	0623010	1070020111	0923010	(½" — 20 mm) x ½" F	0.79	0.50	1.24	0.67	1.16	1.24	0.73	1.46	0.17
1070025952	0623012	1070025112	0923012	(¾" — 25 mm) x ¾" F	0.98	0.75	1.46	0.83	1.34	1.46	0.94	1.73	0.22
1070025953	0623014	1070025113	0923014	(¾" — 25 mm) x ½" F	0.98	0.50	1.34	0.71	1.34	1.46	0.94	1.46	0.17
1070032954	0623016	1070032115	0923016	(1" — 32 mm) x ¾" F	1.26	0.75	1.08	0.37	1.69	2.01	1.50	1.73	0.23
(NPT)													
1070032955	0623018	1070032974	1123018	(1" — 32 mm) x 1" F	1.26	1.00	1.34	0.63	1.69	2.62	1.75	2.37	0.55

## aquatherm NPT TRANSITION STREET ELBOW (male/female)



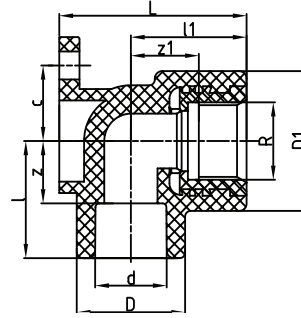
New Part no. Zero-lead (potable) brass	Old Part No. (NPT) Zero-lead (potable) brass	Dimension PP-R (ND — OD) x thread	d	R	l	z	D	l1	z1	D1	Weight
			[in]	[in]	[in]	[in]	[in]	[in]	[in]	[in]	[in]
1070020856	0623208	(½" — 20 mm) x ½" F	0.79	0.50	1.32	0.73	1.16	1.46	0.94	1.46	0.17

## aquatherm TRANSITION ELBOW (PP socket x DIN 2999 thread)



New Part no. Zero-lead (potable) brass	Old Part No. (NPT) Zero-lead (potable) brass	New Part No. (ISO) Stainless steel	Old Part No. (ISO) Stainless steel	Dimension PP-R (ND — OD) x thread	d	R	l	z	D	z1	D1	Weight
					[in]	[in]	[in]	[in]	[in]	[in]	[in]	[in]
1070020957	0623506	1070020117	0923506	(½" — 20 mm) x R ½	0.79	0.50	1.24	0.67	1.16	2.09	1.46	0.24
1070020958	0623508	1070020118	0923508	(½" — 20 mm) x R ¾	0.79	0.75	1.46	0.89	1.34	2.13	1.50	0.28
1070025959	0623510	1070025119	0923510	(¾" — 25 mm) x R ¾	0.98	0.75	1.46	0.83	1.34	2.13	1.50	0.23
1070032860	0623512	1070032120	0923512	(1" — 32 mm) x R ¾	1.26	0.75	1.08	0.37	1.69	2.68	1.50	0.25
1070032961	0623514	-	-	(1" — 32 mm) x R 1	1.26	1.00	1.22	0.51	1.69	3.37	2.05	0.51

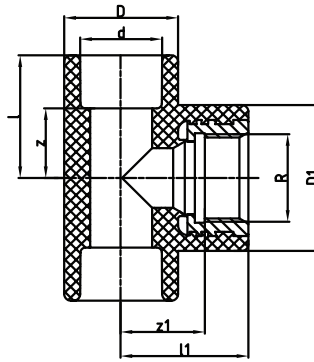
aquatherm DROP EAR 90



New Part No. (NPT) Zero-lead (potable) brass	Old Part No. (NPT) Zero-lead (potable) brass	New Part No. (ISO) Stainless steel	Old Part No. (ISO) Stainless steel	Dimension PP-R (ND — OD) x thread	d	R	l	z	D	l1	z1	D1	L	c	Weight
					[in]	[in]	[in]	[in]	[in]	[in]	[in]	[in]	[in]	[in]	[in]
1090020900	0620108	1090020070	0920108	(½" — 20 mm) x ½" F	0.79	0.50	1.22	0.65	1.16	1.24	0.61	1.46	2.01	0.79	0.17
1090020901	0620110	1090020071	0920110	(½" — 20 mm) x ¾" F	0.79	0.75	1.46	0.89	1.34	1.46	0.94	1.73	2.13	0.98	0.23
1090025902	0620112	1090025072	0920112	(¾" — 25 mm) x ¾" F	0.98	0.75	1.46	0.83	1.34	1.46	0.94	1.73	2.13	0.98	0.23
1090025903	0620113	1090025073	0920113	(¾" — 25 mm) x ½" F	0.98	0.50	1.32	0.69	1.34	1.22	0.59	1.46	2.09	0.79	0.18

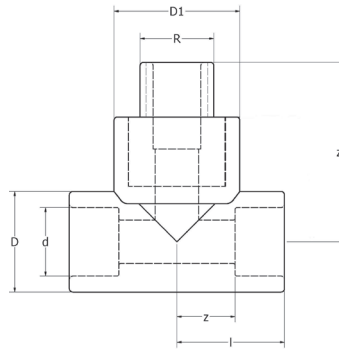
# PRODUCT RANGE - TRANSITION FITTINGS

## aquatherm TRANSITION TEE (female)



New Part No. (NPT) Zero-lead (potable) brass	Old Part No. (NPT) Zero-lead (potable) brass	New Part No. (ISO) Stainless steel	Old Part No. (ISO) Stainless steel	Dimension PP-R (ND — OD) x thread	d	R	l	z	D	l1	z1	D1	Weight
					[in]	[in]	[in]	[in]	[in]	[in]	[in]	[in]	
1060020910	0625006	1060020160	0925006	(½" — 20 mm) x (½" — 20 mm) x ½" F	0.79	0.50	1.24	0.67	1.16	1.46	0.94	1.46	0.19
1060020911	0625008	1060020161	0925008	(½" — 20 mm) x (½" — 20 mm) x ¾" F	0.79	0.75	1.46	0.89	1.34	1.50	0.98	1.73	0.27
1060025912	0625010	1060025162	0925010	(¾" — 25 mm) x (¾" — 25 mm) x ½" F	0.98	0.50	1.34	0.71	1.34	1.50	0.98	1.46	0.20
1060025913	0625012	1060025163	0925012	(¾" — 25 mm) x (¾" — 25 mm) x ¾" F	0.98	0.75	1.46	0.83	1.34	1.50	0.98	1.73	0.24
1060032914	0625014	1060032165	0925014	(1" — 32 mm) x (1" — 32 mm) x ¾" F	1.26	0.75	1.08	0.37	1.69	2.01	1.50	1.73	0.24
(NPT)													
1060032915	0625016	1060032012	1125016	(1" — 32 mm) x (1" — 32 mm) x 1" F	1.26	1.00	1.22	0.53	1.69	2.64	1.93	2.36	0.56
	-	1060050916	-	(1 ½" — 50 mm) x (1 ½" — 50 mm) x 1" F	1.97	1.00	1.95	1.02	2.68	2.50	1.71	2.68	0.85

## aquatherm NPT TRANSITION TEE (male)



New Part no. Zero-lead (potable) brass	Old Part No. (NPT) Zero-lead (potable) brass	Dimension (ND — OD)	d	R	l	z	D	z1	D1	Weight
			[in]	[in]	[in]	[in]	[in]	[in]	[in]	[in]
1060020917	0625506	(½" — 20 mm) x ½" M x (½" — 20 mm)	0.79	0.50	1.24	0.67	1.16	2.09	1.46	0.23

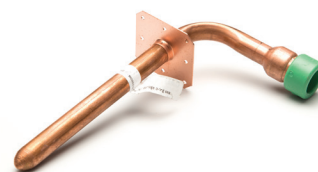
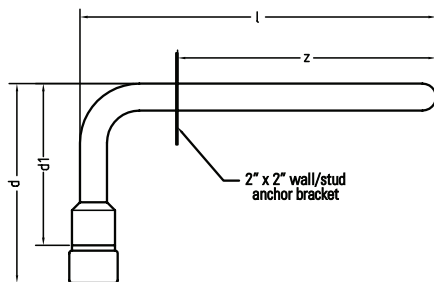
## PRODUCT RANGE - TRANSITION FITTINGS

### aquatherm 90 STUB OUT (PP-R TO COPPER)

Note: These fittings are combination of a custom Aquatherm PP-R socket with a gasket and copper stub added by Sioux Chief Manufacturing.

Note: Stub-outs should ONLY be used as termination fittings in plumbing systems, such as connections to lavatories and other plumbing fixtures. Stub-outs are NOT intended for continuously flowing systems or use in HVAC/hydronic systems.

Note 3: The copper portion, gasket and resulting copper/PP connection are NOT covered by the Aquatherm warranty.



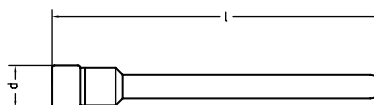
New Part No.	Old Part No.	Dimension (ND — OD)	d	d1	l	z	Weight
			[in]	[in]	[in]	[in]	[lb]
9794200108	AQ630P248E	½" — 20 mm	4.63	3.75	8.25	6.00	0.30
9794200110	AQ630P368E	¾" — 25 mm	7.50	6.63	8.50	6.00	0.55
9794200112	AQ630P41110	1" — 32 mm	12.3	11.3	10.5	7.50	1.10

### aquatherm STRAIGHT STUB OUT (PP-R TO COPPER)

Note: These fittings are a combination of a custom Aquatherm PP-R socket with a gasket and copper stub added by Sioux Chief Manufacturing.

Note: Stub-outs should ONLY be used as termination fittings in plumbing systems, such as connections to lavatories and other plumbing fixtures. Stub-outs are NOT intended for continuously flowing systems or use in HVAC/hydronic systems.

Note: The copper portion, gasket and resulting copper/PP connection are NOT covered by the Aquatherm warranty.

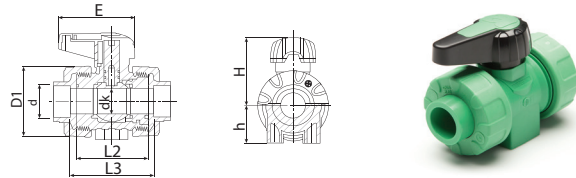


New Part No.	Old Part No.	Dimension (ND — OD)	d	l	Weight
			[in]	[in]	[lb]
9794201108	AQ638P211	½" — 20 mm	0.79	11.0	0.41
9794201110	AQ638P311	¾" — 25 mm	0.98	11.0	0.68
9794201112	AQ638P418	1" — 32 mm	1.26	18.0	0.94

# PRODUCT RANGE - VALVES

## aquatherm POLYPROPYLENE BALL VALVE

Replacement parts can be ordered for O-rings, handles, end connectors, and socket inserts for pipe connection.

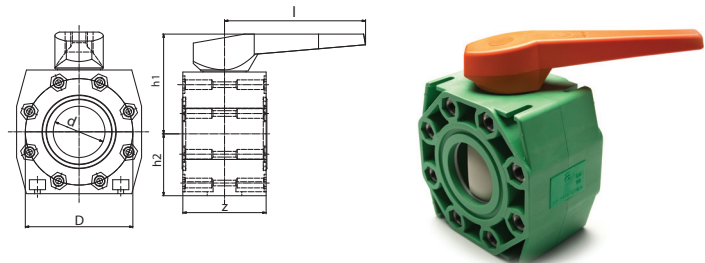


New Part No.	Old Part No.	Dimension (ND — OD)	E	D1	d	dk	L2	L3	H	h	Weight
			[in]	[in]	[in]	[in]	[in]	[in]	[in]	[in]	[in]
1090020052	0041488	½" — 20 mm	2.60	1.98	0.79	0.53	2.22	2.68	2.01	1.06	0.26
1090020020	0041588 <sup>a</sup>	½" — 20 mm	2.60	1.98	0.79	0.53	2.22	2.68	2.01	1.06	0.26
1090025053	0041490	¾" — 25 mm	3.19	2.32	0.98	0.73	2.58	3.09	2.40	1.18	0.40
1090025021	0041590 <sup>a</sup>	¾" — 25 mm	3.19	2.32	0.98	0.73	2.58	3.09	2.40	1.18	0.40
1090032054	0041492	1" — 32 mm	3.21	2.77	1.26	0.94	2.83	3.33	2.40	1.57	0.60
1090032022	0041592 <sup>a</sup>	1" — 32 mm	3.21	2.77	1.26	0.94	2.83	3.33	2.40	1.57	0.60
1090040055	0041494	1 ¼" — 40 mm	3.60	3.38	1.57	1.22	3.35	3.94	3.19	1.81	1.07
1090040023	0041594 <sup>a</sup>	1 ¼" — 40 mm	3.60	3.38	1.57	1.22	3.35	3.94	3.19	1.81	1.07
1090050056	0041496	1 ½" — 50 mm	3.60	3.92	1.97	1.52	3.50	4.21	3.54	2.17	1.43
1090050024	0041596 <sup>a</sup>	1 ½" — 50 mm	3.60	3.92	1.97	1.52	3.50	4.21	3.54	2.17	1.43
1090063057	0041498	2" — 63 mm	5.57	4.94	2.48	1.97	3.98	4.65	4.50	2.76	2.66
1090063025	0041598 <sup>a</sup>	2" — 63 mm	5.57	4.94	2.48	1.97	3.98	4.65	4.50	2.76	2.66
1090075051	0041400	2 ½" — 75 mm	7.31	5.06	3.62	2.53	8.13	9.00	5.50	2.90	5.35

<sup>a</sup>Part comes with a gray fluoroelastomer (FPM/FKLM) gasket.

## aquatherm BALL VALVE WITH BOLT/GASKET KIT

Polypropylene construction with ISO bolt pattern. Comes with 2 gaskets, 16 bolts, and 16 washers. Contact Aquatherm to order parts individually. Replacement O-rings available upon request.



New Part No.	Old Part No.	Dimension (ND — OD)	d	l	z	D	h1	h2	Weight
			[in]	[in]	[in]	[in]	[in]	[in]	[in]
9790041802	0041802	3" — 90 mm	3.03	8.27	4.88	6.30	5.91	3.66	9.25
9790041804	0041804 <sup>a</sup>	3 ½" to 4" — 110 to 125 mm	3.70	10.2	5.71	7.09	6.50	4.06	12.4
9790041807	0041807	6" — 160 mm	5.31	12.2	8.07	9.45	8.27	5.37	29.6

<sup>a</sup>For a 4" connection, use part no. 0115526 and part no. 3315726. For a 3 ½" connection, use part no. 0115524 and part no. 3315724.

Note: A full-faced flange gasket should be used with these valves. Do not use an O-ring with or without the flange gasket or leakage may occur. Discard any O-ring that may come with the valve.

## REPLACEMENT BOLT/GASKET KIT FOR BALL VALVES

Kit includes the following replacement parts for the polypropylene Aquatherm ball valves: 2 gaskets, 16 bolts, and 16 washers.

New Part No.	Old Part No.	Dimension (ND — OD)
9794160318	4160218-S <sup>a</sup>	3" — 90 mm
9794160518	4160418-S <sup>b</sup>	3 ½" to 4" — 110 to 125 mm
9794160818	4160718-S <sup>c</sup>	6" — 160 mm

<sup>a</sup>Replacement kit for part no. 0041602 and 0041702.

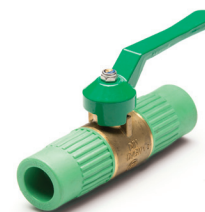
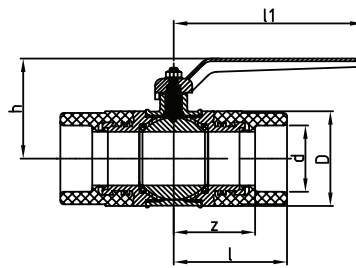
<sup>b</sup>Replacement kit for part no. 0041604 and 0041704.

<sup>c</sup>Replacement kit for part no. 0041607 and 0041707.

**aquatherm POLYPROPYLENE/BRASS BALL VALVE**

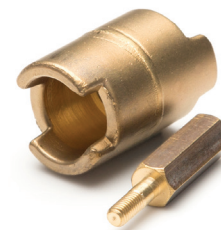
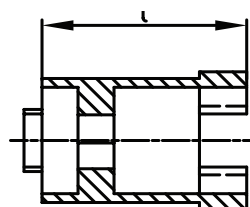
Note: Brass components in these valves do not comply with NSF 372 or the Safe Drinking Water Act (SDWA) lead-free requirements for potable water systems.

Note: Quantities in some sizes are limited, confirm availability when ordering.



New Part No. Industrial brass	Old Part No. Industrial brass	Dimension (ND — OD)	d	l	z	D	h	l1	Weight
			[in]	[in]	[in]	[in]	[in]	[in]	[lb]
1050020174	0041308	½" — 20 mm	0.79	2.17	1.59	1.26	2.60	3.35	0.62
1050025175	0041310	¾" — 25 mm	0.98	2.17	1.54	1.61	2.87	3.35	0.83
1050032176	0041312	1" — 32 mm	1.26	2.50	1.79	1.85	3.23	4.25	1.31
1050040177	0041314	1 ¼" — 40 mm	1.57	2.85	2.05	2.28	3.66	4.25	2.24
1050050178	0041316	1 ½" — 50 mm	1.97	3.29	2.36	2.78	4.49	5.51	3.72
1050063179	0041318	2" — 63 mm	2.48	4.04	2.95	3.43	5.20	5.51	6.34

**aquatherm BALL VALVE HANDLE EXTENSION**



New Part No.	Old Part No.	Dimension (ND — OD) x length	l	Weight
			[in]	[lb]
1050000180	0041378	½" to ¾" x 1 ½" — 20 to 25 mm x 35 mm	1.38	0.26
1050000181	0041382	1" to 1 ¼" x 1 ½" — 32 to 40 mm x 35 mm	1.38	0.26
1050000182	0041386	1 ½" to 2" x 1 ½" — 50 - 63 mm x 46 mm	1.81	0.60

Part no. 0041378 suitable for part no. 0041308 / 0041310.  
 Part no. 0041382 suitable for part no. 0041312 / 0041314.  
 Part no. 0041386 suitable for part no. 0041316 / 0041318.

**aquatherm EXTENSION FOR BALL VALVE**



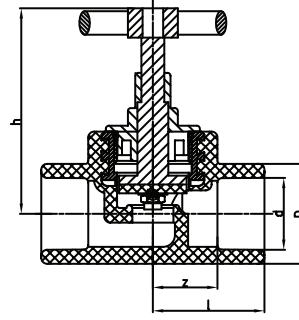
New Part No.	Old Part No.	Dimension (ND — OD)	Length	Weight
			[in]	[lb]
9700098900	0098900	½" x 4" — 20 mm x 100 mm	3.94	0.04
9700098901	0098901	¾" to 1" x 4" — 25 to 32 mm x 100 mm	3.94	0.06
9700098902	0098902	1 ¼" to 1 ½" x 4" — 40 to 50 mm x 100 mm	3.94	0.07
9700098903	0098903	2" x 4" — 63 mm x 100 mm	3.94	0.09

# PRODUCT RANGE - VALVES

## aquatherm SCREW-DOWN STOP GLOBE VALVE

For surface installation.

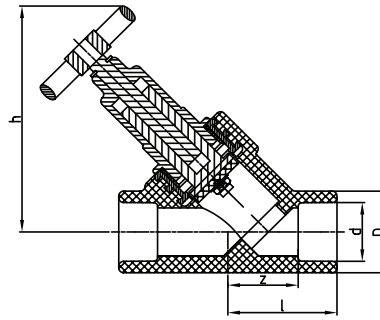
NOTE: Brass components in these valves do not comply with NSF 372 or the Safe Drinking Water Act (SDWA) lead-free requirements for potable water systems.



New Part No.	Old Part No.	Dimension (ND — OD)	d	l	z	D	h	Weight
			[in]	[in]	[in]	[in]	[in]	[lb]
1090020040	0140808	½" — 20 mm	0.79	1.38	0.81	1.16	2.76	0.36
1090025041	0140810	¾" — 25 mm	0.98	1.50	0.87	1.34	2.76	0.38
1090032042	0140812	1" — 32 mm	1.26	1.93	1.22	1.69	3.41	0.69
1090040043	0140814	1 ¼" — 40 mm	1.57	2.36	1.56	2.05	3.96	1.29

## aquatherm INCLINED VALVE without drain

NOTE: Brass components in these valves do not comply with NSF 372 or the Safe Drinking Water Act (SDWA) lead-free requirements for potable water systems.



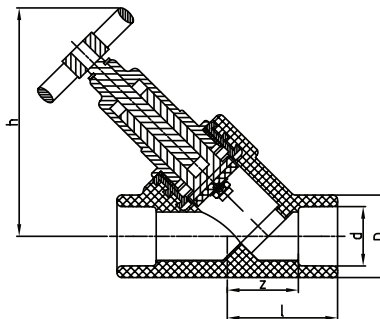
New Part No. Industrial brass	Old Part No. Industrial brass	Dimension (ND — OD)	d	l	z	D	h	Weight
			[in]	[in]	[in]	[in]	[in]	[lb]
1050020162	0141108	½" — 20 mm	0.79	1.77	1.20	1.34	3.76	0.65
	0141110	¾" — 25 mm	0.98	1.77	1.14	1.34	3.76	0.62
1050032164	0141112	1" — 32 mm	1.26	2.20	1.50	1.69	4.39	0.93
1050040165	0141114	1 ¼" — 40 mm	1.57	2.56	1.75	2.05	5.31	1.84

\*Brass components in these valves do not comply with the 2015 zero-lead requirements for potable water systems.

## aquatherm INCLINED CHECK VALVE without drain

Adjustable pressure check valve.

NOTE: Brass components in these valves do not comply with NSF 372 or the Safe Drinking Water Act (SDWA) lead-free requirements for potable water systems.



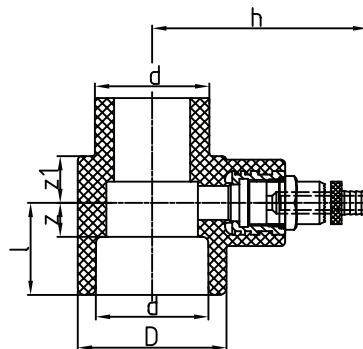
New Part No. Industrial brass	Old Part No. Industrial brass	Dimension (ND — OD)	d	l	z	D	h	Weight
			[in]	[in]	[in]	[in]	[in]	[lb]
1050020170	0041208	½" — 20 mm	0.79	1.77	1.20	1.34	3.76	0.65
1050025171	0041210	¾" — 25 mm	0.98	1.77	1.14	1.34	3.76	0.64
1050032172	0041212	1" — 32 mm	1.26	2.20	1.50	1.69	4.39	0.95
1050040173	0041214	1 ¼" — 40 mm	1.57	2.56	1.75	2.05	5.31	1.85

\*Brass components in these valves do not comply with the 2015 zero-lead requirements for potable water systems.

**aquatherm DRAINING BRANCH**

Fused in-line for use with **aquatherm green pipe** valves or other cases where draining is needed.

NOTE: Brass components in these valves do not comply with NSF 372 or the Safe Drinking Water Act (SDWA) lead-free requirements for potable water systems.



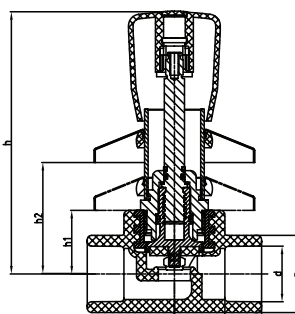
New Part No. Industrial brass	Old Part No. (NPT) Industrial brass	Dimension (ND — OD)	d	l	z	D	z1	h	Weight [lb]
			[in]	[in]	[in]	[in]	[in]		
1050020183	141408	½" — 20 mm	0.79	0.45	1.02	1.34	0.65	2.64	0.22
1050025184	0041410	¾" — 25 mm	0.98	0.39	1.02	1.34	0.65	2.64	0.21
1050032185	0041412	1" — 32 mm	1.26	0.55	1.26	1.69	0.67	2.78	0.26
1050040186	0041414	1 ¼" — 40 mm	1.57	0.47	1.28	2.05	0.65	3.01	0.31
1050050187	0041416	1 ½" — 50 mm	1.97	0.61	1.54	2.68	0.67	3.30	0.45
1050063188	0041418	2" — 63 mm	2.48	0.65	1.73	3.31	0.65	3.66	0.64

\*Brass components in these valves do not comply with the 2015 zero-lead requirements for potable water systems.

**aquatherm CONCEALED VALVE** (standard)

Chromium-plated. Includes hot/cold water indicator.

NOTE: Brass components in these valves do not comply with NSF 372 or the Safe Drinking Water Act (SDWA) lead-free requirements for potable water systems.

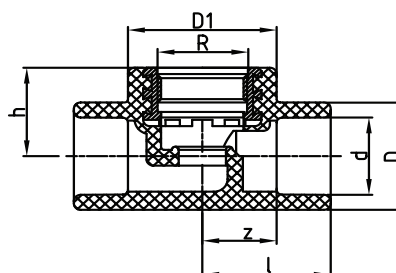


New Part No. Industrial brass	Old Part No. (ISO) Industrial brass	Dimension (ND — OD)	d	l	z	D	h	h1	h2	Weight [lb]
			[in]	[in]	[in]	[in]	[in]	[in]	[in]	
1050020150	0140858	½" — 20 mm	0.79	1.38	0.81	1.16	4.57	1.10	2.32	0.70
1050025151	0140860	¾" — 25 mm	0.98	1.50	0.87	1.34	4.57	1.10	2.32	0.73
1050032152	0140862	1" — 32 mm	1.26	1.93	1.22	1.69	4.76	1.34	2.32	0.92

\*Brass components in these valves do not comply with the 2015 zero-lead requirements for potable water systems.

**aquatherm STOP VALVE BODY ISO**

NOTE: Brass components in these valves do not comply with NSF 372 or the Safe Drinking Water Act (SDWA) lead-free requirements for potable water systems.



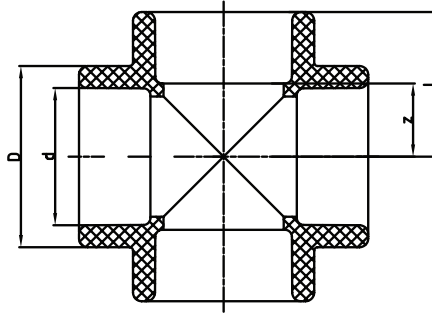
New Part No. Industrial brass	Old Part No. (ISO) Industrial brass	Dimension PP-R (ND — OD) x thread	d	l	z	D	h	D1	R	Weight [lb]
			[in]	[in]	[in]	[in]	[in]	[in]	[in]	
1090020046	0040908	( ½" — 20 mm ) x ¾" F	0.79	1.38	0.79	1.16	1.10	1.73	0.75	0.21
1090025047	0040910	( ¾" — 25 mm ) x ¾" F	0.98	1.50	0.87	1.34	1.10	1.73	0.75	0.22
1090032048	0040912	( 1" — 32 mm ) x 1" F	1.26	1.93	1.22	1.69	1.34	2.05	1.00	0.32
1090040049	0040914	( 1 ¼" — 40 mm ) x 1 ¼" F	1.57	2.36	1.56	2.05	1.61	-	1.25	0.69

\*Brass components in these valves do not comply with the 2015 zero-lead requirements for potable water systems.



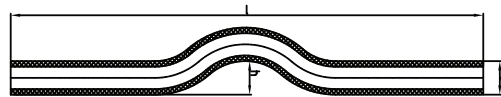
# PRODUCT RANGE - ACCESSORIES

## aquatherm CROSS



New Part No.	Old Part No.	Dimension (ND — OD)	d	z	l	D	Weight
			[in]	[in]	[in]	[in]	[lb]
1040020980	0113708	½" — 20 mm	0.79	0.45	1.02	1.16	0.06
1040025981	0113710	¾" — 25 mm	0.98	0.53	1.16	1.34	0.08
1040032982	0113712	1" — 32 mm	1.26	0.67	1.38	1.69	0.14
1040040983	0113714	1 ¼" — 40 mm	1.57	0.83	1.63	2.05	0.22

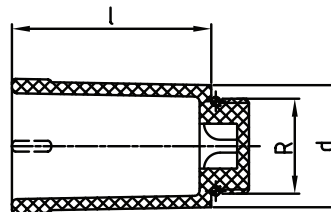
## aquatherm CROSS-OVER



New Part No.	Old Part No.	Dimension (ND — OD)	d	h	l	Weight
			[in]	[in]	[in]	[lb]
1090020925	0116108	½" — 20 mm	0.79	0.87	13.9	0.13
1090025926	0116110	¾" — 25 mm	0.98	0.98	13.9	0.20
1090032927	0116112	1" — 32 mm	1.26	1.26	13.9	0.34

## aquatherm ISO PLUG FOR PRESSURE TESTS

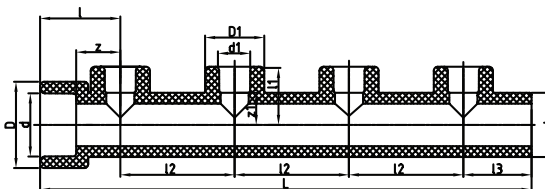
Includes gasket.



New Part No.	Old Part No.	Dimension	d	R	l	Weight
			[in]	[in]	[in]	[lb]
9800050708	0050708	½" M	1.10	0.50	2.19	0.05
9800050710	0050710	¾" M	1.34	0.75	2.19	0.06

**aquatherm DISTRIBUTION PIPE**

246 mm long, with four branch connections. This distribution pipe can be cut short or supplemented by fusion with additional distribution pipes as needed. The brass in this fitting meets potable water requirements.



New Part No.	Old Part No.	Dimension (ND — OD)	d	d1	l	z	D	l1	z1	D1	l2	l3	L	Weight
			[in]	[in]	[in]	[in]	[in]	[in]	[in]	[in]	[in]	[in]	[in]	[lb]
9300130604	0130604	1" x 1/2" — 32 x 20 mm	1.26	0.79	1.57	0.87	1.69	1.14	0.57	1.16	2.24	1.42	9.65	0.30

**aquatherm DISTRIBUTOR END PIECE**

PP-R socket with female thread NPT for emptying or aerating a distribution pipe. The brass in this fitting meets potable water requirements.



New Part No. Zero-lead (potable) brass	Old Part No. (NPT) Zero-lead (potable) brass	Dimension (ND — OD) x thread	d	l	z	D	L	R	Weight
			[in]	[in]	[in]	[in]	[in]	[in]	[lb]
1090032904	0630804	(1" — 32 mm) x 1/2" F	1.26	1.18	0.47	1.69	1.69	0.50	0.10

# PRODUCT RANGE - TOOLS

## aquatherm DRILL BIT

New Part No.	Old Part No.	Dimension	Weight [lb]
9800050940	0050940	½" & ¾" — 20 & 25 mm (for pipes 1 ¼" - 6" — 40 - 160 mm)	0.30
9800050941	0050941	½" & ¾" — 20 & 25 mm (for pipes 6" - 10" — 160 - 250 mm)	0.35
9800050942	0050942	1" — 32 mm	0.46
9800050944	0050944	1 ¼" — 40 mm	0.63
9800050946	0050946	1 ½" — 50 mm	0.70
9800050948	0050948	2" — 63 mm	1.00



## aquatherm HOLE SAWS AND COMPONENTS

New Part No.	Old Part No.	Dimension
9800050987	0050987 <sup>a</sup>	2 ½" — 75 mm
9800050988	0050988 <sup>a</sup>	3" — 90 mm
9800050989	0050989 <sup>b</sup>	3 ½" — 110 mm
9800050990	0050990 <sup>b</sup>	4" — 125 mm
9800050991	0050991 <sup>b</sup>	6" — 160 mm
9800050973	0050973	Small Hole Saw Pilot Bit/Arbor Quick Change Adapter (75 mm - 90 mm)
9800050975	0050975	Hole Saw Pilot Bit
9800050976	0050976	1/2" Hole Saw Arbor/Drill Chuck Adapter (110 mm - 160 mm)

<sup>a</sup>Requires part 0050973.

<sup>b</sup>Requires parts 0050975 & 0050976.



## aquatherm REPLACEMENT PILOT BITS

New Part No.	Old Part No.	Dimension (ND — OD)
9800099910	0099910	½" to 1" — 20 to 32 mm
9800099911	0099911	1 ¼" to 2" — 40 to 63 mm

## aquatherm REPAIR SET

For closing pipe holes up to 0.4 in. Use with repair plug (part no. 0060600).

New Part No.	Old Part No.	Dimension	Weight [lb]
9800050307	0050307	¼" — 7 mm	0.32
9800050311	0050311	7/16" — 11 mm	0.39



## aquatherm REPAIR PLUG

PP-R plug for closing pipe holes up to 0.4 in. Use with Aquatherm repair set (part no. 0050307 & 0050311).

New Part No.	Old Part No.	Dimension OD for each end	Weight [lb]
1090000035	0060600	7/16" x ¼" — 11 x 7 mm	0.02



## aquatherm PIPE CUTTER

For use with Aquatherm pipe only.

New Part No.	Old Part No.	Dimension	Weight [lb]
9800050104	0050104	( 3/8" - 1 ¼" ) — ( 16 - 40 mm )	1.30



## aquatherm TEMPERATURE PROTECTIVE GLOVES (PAIR)

For use during fusion and changing welding heads.

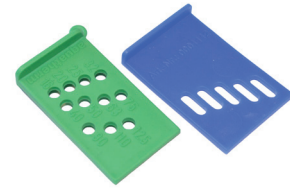
New Part No.	Old Part No.	Dimension
9800050195	0050195	20 mm x 1/2"IG x 20 mm



**aquatherm DEPTH GAUGE**

For marking socket fusion depth on pipe sizes ½" through 4"

New Part No.	Old Part No.	Dimension (ND — OD)
9100001111	0001111	Green depth gauge - ½" thru 4"
9100001112	0001112	Blue depth gauge - 2" thru 4"



**aquatherm FUSION HEADS**

New Part No.	Old Part No.	Dimension	Weight
			[lb]
9800050206	0050206	⅜" — 16 mm	0.24
9800050208	0050208	½" — 20 mm	0.25
9800050210	0050210	¾" — 25 mm	0.31
9800050212	0050212	1" — 32 mm	0.46
9800050214	0050214	1 ¼" — 40 mm	0.68
9800050216	0050216	1 ½" — 50 mm	1.00
9800050218	0050218	2" — 63 mm	1.50
9800050220	0050220	2 ½" — 75 mm	2.02
9800050222	0050222	3" — 90 mm	3.12
9800050224	0050224	3 ½" — 110 mm	5.41
9800050226	0050226	4" — 125 mm	7.33



**aquatherm FUSION OUTLET HEADS**

New Part No.	Old Part No.	Dimension	Weight
			[lb]
9800050614	0050614	1 ¼" x ½" & ¾" — 40 x 20 & 25 mm	0.41
9800050616	0050616	1 ½" x ½" & ¾" — 50 x 20 & 25 mm	0.49
9800050619	0050619	2" x ½" & ¾" — 63 x 20 & 25 mm	0.53
9800050620	0050620	2" x 1" — 63 x 32 mm	0.54
9800050623	0050623	2 ½" x ½" & ¾" — 75 x 20 & 25 mm	0.56
9800050624	0050624	2 ½" x 1" — 75 x 32 mm	0.57
9800050625	0050625	2 ½" x 1 ¼" — 75 x 40 mm	0.99
9800050627	0050627	3" x ½" & ¾" — 90 x 20 & 25 mm	0.59
9800050628	0050628	3" x 1" — 90 x 32 mm	0.61
9800050629	0050629	3" x 1 ¼" — 90 x 40 mm	1.02
9800050631	0050631	3 ½" x ½" & ¾" — 110 x 20 & 25 mm	0.61
9800050632	0050632	3 ½" x 1" — 110 x 32 mm	0.63
9800050634	0050634	3 ½" x 1 ¼" — 110 x 40 mm	1.06
9800050635	0050635	3 ½" x 1 ½" — 110 x 50 mm	1.71
9800050636	0050636	4" x ½" & ¾" — 125 x 20 & 25 mm	0.64
9800050638	0050638	4" x 1" — 125 x 32 mm	0.66
9800050640	0050640	4" x 1 ¼" — 125 x 40 mm	1.12
9800050642	0050642	4" x 1 ½" — 125 x 50 mm	1.74
9800050644	0050644	4" x 2" — 125 x 63 mm	2.71
9800050648	0050648	6" x ½" & ¾" — 160 x 20 & 25 mm	0.71
9800050650	0050650	6" x 1" — 160 x 32 mm	0.74
9800050652	0050652	6" x 1 ¼" — 160 x 40 mm	1.20
9800050654	0050654	6" x 1 ½" — 160 x 50 mm	1.85



# PRODUCT RANGE - TOOLS

## aquatherm FUSION OUTLET HEADS (continued)

New Part No.	Old Part No.	Dimension	Weight
			[lb]
9800050656	0050656	6" x 2" — 160 x 63 mm	2.84
9800050657	0050657	6" x 2 ½" — 160 x 75 mm	3.90
9800050658	0050658	6" x 3" — 160 x 90 mm	6.71
9800050660	0050660	8" x ½" & ¾" — 200 x 20 & 25 mm	0.44
9800050662	0050662	8" x 1" — 200 x 32 mm	0.51
9800050664	0050664	8" x 1 ¼" — 200 x 40 mm	0.89
9800050666	0050666	8" x 1 ½" — 200 x 50 mm	1.42
9800050667	0050667	8" x 2 ½" — 200 x 75 mm	3.94
9800050668	0050668	8" x 2" — 200 x 63 mm	2.30
9800050669	0050669	8" x 3" — 200 x 90 mm	6.77
9800050670	0050670	8" x 3 ½" — 200 x 110 mm	10.5
9800050671	0050671	8" x 4" — 200 x 125 mm	13.6
9800050672	0050672	10" x ½" & ¾" — 250 x 20 & 25 mm	0.44
9800050674	0050674	10" x 1" — 250 x 32 mm	0.51
9800050676	0050676	10" x 1 ¼" — 250 x 40 mm	0.89
9800050678	0050678	10" x 1 ½" — 250 x 50 mm	1.46
9800050680	0050680	10" x 2" — 250 x 63 mm	2.35
9800050682	0050682	10" x 2 ½" — 250 x 75 mm	3.95
9800050684	0050684	10" x 3" — 250 x 90 mm	6.77
9800050686	0050686	10" x 3 ½" — 250 x 110 mm	10.6
9800050688	0050688	10" x 4" — 250 x 125 mm	13.2
9800050690	0050690	12" x 2" — 315 x 63 mm	2.41
9800050692	0050692	12" x 2 ½" — 315 x 75 mm	4.22
9800050694	0050694	12" x 3" — 315 x 90 mm	7.11
9800050696	0050696	12" x 3 ½" — 315 x 110 mm	10.6
9800050698	0050698	12" x 4" — 315 x 125 mm	13.2
9800050699	0050699	12" x 6" — 315 x 160 mm	20.6
9800050712	0050712	14" x 2" — 355 x 63 mm	2.43
9800050714	0050714	14" x 2 ½" — 355 x 75 mm	4.40
9800050716	0050716	14" x 3" — 355 x 90 mm	7.22
9800050718	0050718	14" x 3 ½" — 355 x 110 mm	10.7
9800050720	0050720	14" x 4" — 355 x 125 mm	13.3
9800050722	0050722	14" x 6" — 355 x 160 mm	19.5
9800050726	0050726	16" - 24" x 2" — 400-630 x 63 mm	2.34
9800050728	0050728	16" - 20" x 2 ½" — 400-500 x 75 mm	3.41
9800050732	0050732	16" - 20" x 3" — 400-500 x 90 mm	5.21
9800050736	0050736	16" - 18" x 3 ½" — 400-450 x 110 mm	6.46
9800050740	0050740	24" x 3 ½" — 630 x 110 mm	9.11
9800050742	0050742	16" x 4" — 400 x 125 mm	11.8
9800050744	0050744	18" - 20" x 4" — 450-500 x 125 mm	11.9





**aquatherm**

we've got a pipe for that