

# REMS Hydro-Swing

**Teilverzeichnis**

Aktueller Stand  
siehe [www.rems.de](http://www.rems.de)  
weitere Teile auf Anfrage

**Spare parts list**

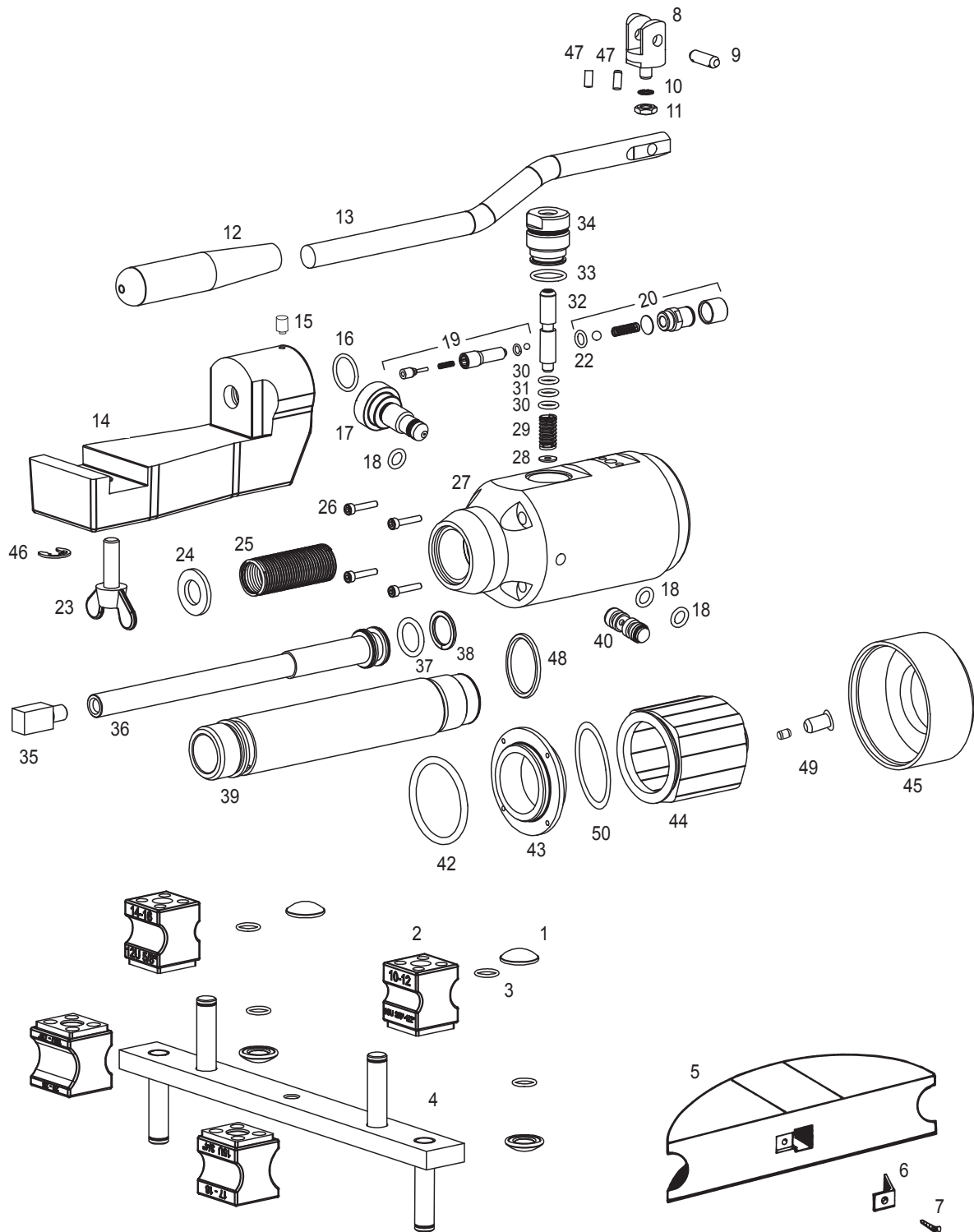
Latest version  
see [www.rems.de](http://www.rems.de)  
other parts on request

**Liste des pièces**

Situation actuelle  
voir [www.rems.de](http://www.rems.de)  
autres pièces sur demande

**Elenco dei pezzi**

Ultimo aggiornamento  
vedi [www.rems.de](http://www.rems.de)  
altri ricambi su richiesta



# REMS Hydro-Swing

|    | deu  | eng                                      | fra   | ita   |          |
|----|--|--|---|---|----------|
| 1  | Schnellbefestiger                                | Quick fixing device                      | Attache rapide                              | Fissaggio rapido                              | 059075   |
| 2  | Gleitstück<br>10–16, 3/8"–5/8"                   | Sliding piece<br>10–16, 3/8"–5/8"        | Pièce coulissante<br>10–16, 3/8"–5/8"       | Pezzo scorrevole<br>10–16, 3/8"–5/8"          | 153126   |
| 3  | O-Ring   | Locking ring                             | Joint torique                               | Guarnizione O-Ring                            | 060240   |
| —  | Gleitstückträger<br>10–16, 3/8"–5/8"<br>Pos. 1–4 | Crossbar<br>10–16, 3/8"–5/8"<br>Pos. 1–4 | Contreforme<br>10–16, 3/8"–5/8"<br>Pos. 1–4 | Contromatrice<br>10–16, 3/8"–5/8"<br>Pos. 1–4 | 153501 R |
| —  | Rücklaufventil komplett<br>Pos. 17–18            | Return valve compl.<br>Pos. 17–18        | Soupape retour compl.<br>Pos. 17–18         | Valvola ritorno compl.<br>Pos. 17–18          | 153559 R |
| —  | Gleitstückträger 32                              | Crossbar 32                              | Contreforme 32                              | Contromatrice 32                              | 153115 R |
| —  | Biegesegment<br>Pos. 5–7<br>siehe Preisliste     | Form<br>Pos. 5–7<br>see price list       | Forme<br>Pos. 5–7<br>voir liste de prix     | Matrice<br>Pos. 5–7<br>vedi listino prezzi    |          |
| 9  | Spiralspannstift                                 | Spiral pin                               | Goupille spiralée                           | Spina elastica                                | 088223   |
| 14 | Gehäuse  | Housing                                  | Carcasse                                    | Carcassa                                      | 153545 R |
| 16 | O-Ring   | Locking ring                             | Joint torique                               | Guarnizione O-Ring                            | 060003   |
| 18 | O-Ring   | Locking ring                             | Joint torique                               | Guarnizione O-Ring                            | 060356   |
| 19 | Rückschlagventil                                 | Check valve                              | Soupape retour                              | Valvola                                       | 578278 R |
| 20 | Ventil Saugseite                                 | Valve pressure side                      | Crépine                                     | Valvola lato aspirazione                      | 578280 R |
| 23 | Flügelgriff                                      | Wing handle                              | Poignée à oreilles                          | Manopola a farfalla                           | 083203   |
| —  | ET-Set Pumpenkolben<br>Pos. 28–33                | Spares kit for pump piston<br>Pos. 28–33 | Set-PD piston de pompe<br>Pos. 28–33        | Set ricambi pistone a pompa<br>Pos. 28–33     | 153566 R |
| 27 | Hydraulikblock                                   | Hydraulic block                          | Bloc hydraulique                            | Blocco idraulico                              | 153547 R |
| 29 | Druckfeder                                       | Pressure spring                          | Ressort de compression                      | Molla di compressione                         | 153556 R |
| 34 | Führungsbuchse                                   | Guiding bush                             | Douille de guidage                          | Boccola guida                                 | 153549 R |
| 35 | Werkzeugaufnahme                                 | Tool holder                              | Embout porte-outil                          | Alloggiamento utensile                        | 153558 R |
| 37 | O-Ring   | Locking ring                             | Joint torique                               | Guarnizione O-Ring                            | 060005   |
| 38 | Stützring  | Back-up ring                             | Bague d'appui                               | Rondella di appoggio                          | 153557 R |
| —  | Vorschubkolben komplett<br>Pos. 35–38            | Feed lever compl.<br>Pos. 35–38          | Levier d'alimentation<br>compl. Pos. 35–38  | Leva di alimentazione<br>compl. Pos. 35–38    | 153561 R |
| 39 | Zylinder   | Cylinder                                 | Cylindre                                    | Cilindro                                      | 153544 R |
| 42 | O-Ring   | Locking ring                             | Joint torique                               | Guarnizione O-Ring                            | 060277   |
| 43 | Befestigungsring                                 | Fastening ring                           | Bague de fixation                           | Anello di fissaggio                           | 153548 R |
| 45 | Deckel, schwarz RAL 9005                         | Cover, black RAL 9005                    | Couvercle, noir RAL 9005                    | Coperchio, nero RAL 9005                      | 153554 R |
| 50 | O-Ring   | Locking ring                             | Joint torique                               | Guarnizione O-Ring                            | 060015   |