

■ Datasheet: Modular contactor 25A, 4NO, 230VAC 2MW



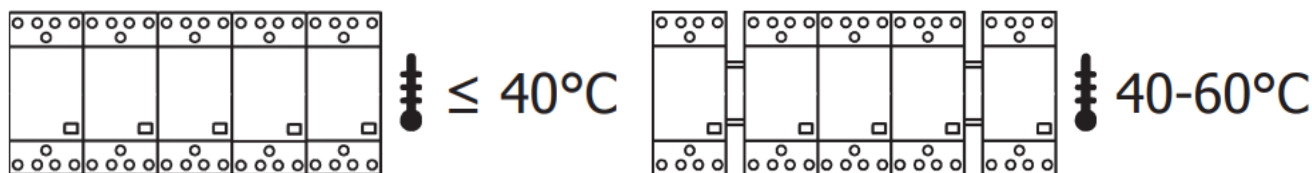
■ SCHRACK-INFO

- Rated capacity AC-3/230V 1,30kW, Rated capacity AC-3/400V 4kW
- Max. 1 auxiliary contact blocks available per contactor

■ Technical data

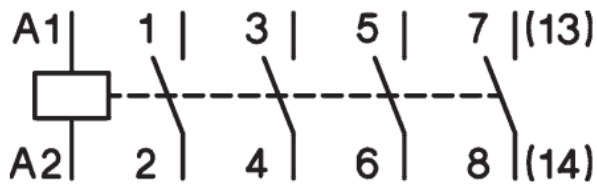
Main contacts 1) 2) 3)		
Rated insulation voltage U_i		440 V AC 4)
Rated operational voltage U_e		440 V AC
Mechanical endurance	$S \times 10^6$	1
Utilization category AC1 / AC7a switching of resistive loads		
Rated operational current I_e (=Ith) open at 60°C		25A
Endurance of main contacts	$S \times 10^6$	0,1
Minimum switching voltage	V/mA	24/100
Short-time withstand current	10s-current	72 A
Power loss per pole $I_e/AC1$		2 W
Utilization category AC2 and AC3 / AC7b switching of three-phase motor		
Rated operational current I_e		9 A
Rated power of motor	220 V	2,2 kW
50-60 Hz	230-240 V	2,5 kW
	380-415 V	4 kW
Endurance of main contacts	$S \times 10^6$	0,15

Power consumption of coil		
AC-operated	closing	20-25 VA
	closed	4-6 VA
		1,5-2,5 W
DC and AC operated		3-4 W
Operating range of coil		
in multiples of control voltage U_s	-40°C bis +40°C	0,85-1,1
Permissible ambient temperature		

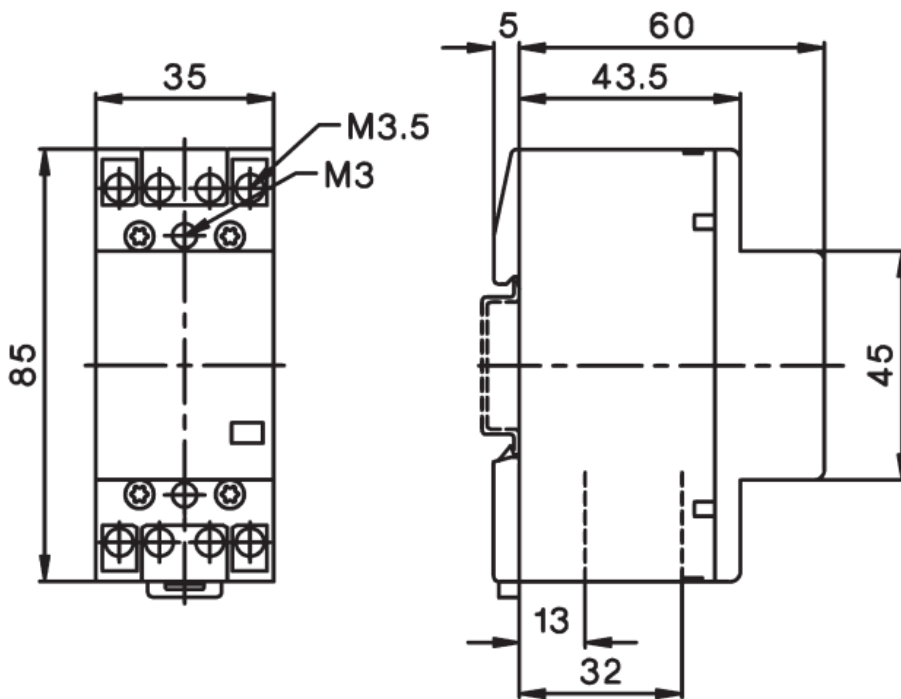


	open	-40 bis +60
	capsuled	-40 bis +40
	storing	-50 bis +90
Short circuit protection		
Fuse coordinate type „1“	gL (gG)	35 A
Rated short circuit current	„r“	3 kA
	„Iq“	10 kA
Switching times at control voltage $U_s \pm 10\%$		
	closing time	9-15 ms
	open time	4-8 ms
	arcing time	10-15 ms
Cable cross section		
Main connector	solid or stranded	1,5-10 mm ²
	flexible	1,5-6 mm ²
	flexible with multicore cable end	1,5-6 mm ²
Clamps per pole		1
Magnetic coil	solid or stranded	0,75-2,5 mm ²
	flexible	0,5-2,5 mm ²
	flexible with multicore cable end	0,5-1,5 mm ²
Clamps per pole		1
Auxiliar contacts 1) 2) 3)		
Rated insulation voltage U_i		440 VAC 4)
Thermal rated current = I _{th}	40°C	25 A
	60°C	25 A
Short circuit protection largest rated current of the fuses		
Short circuit current 1 kA, without welding	gL (gG)	10 A
Weight		0,22 kg
Control voltage U_s		220-240V 50Hz / 230-264V 60Hz

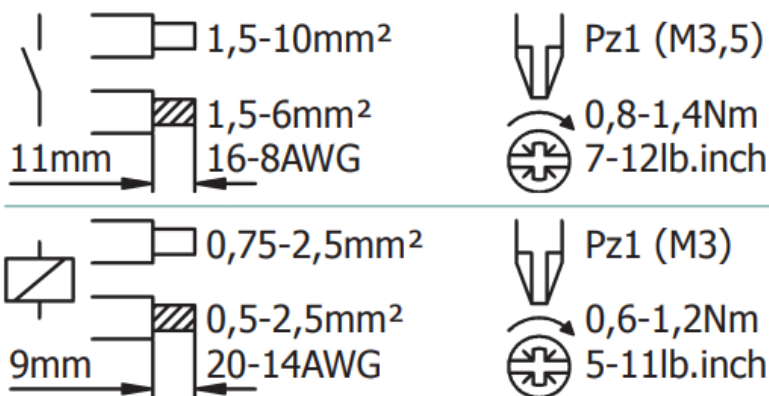
■ Wiring diagram



■ Dimensions



■ Connection cross sections and torques



1) Rated frequency 50/60Hz 2) Max. occ. switching overvoltages < 4kV 3) Rated operating mode: continuous operation 4) Valid for: earthed-neutral systems, overvoltage category I to III, pollution degree 3 (standard-industry): U_{imp} = 4kV.

DESCRIPTION	ORDER NO.
Modular contactor 25A, 4NO, 230VAC 2MW	BZ326461--