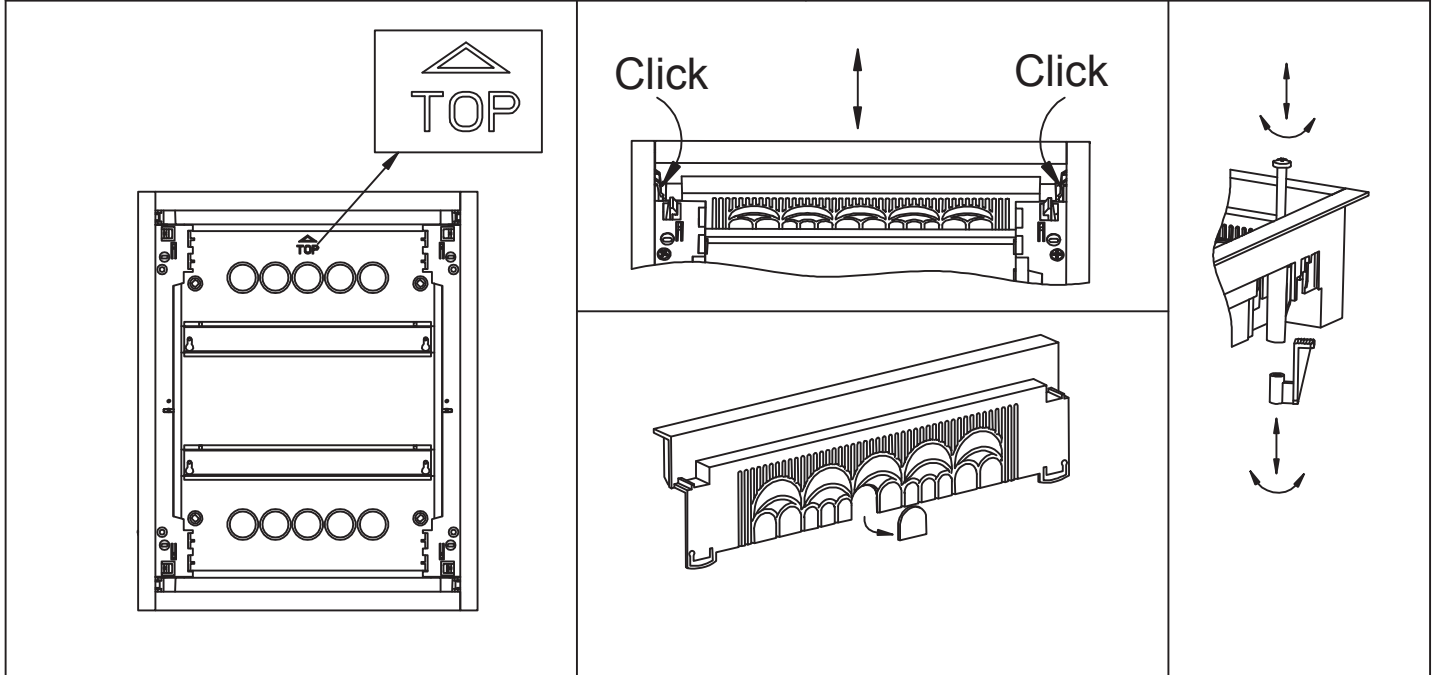


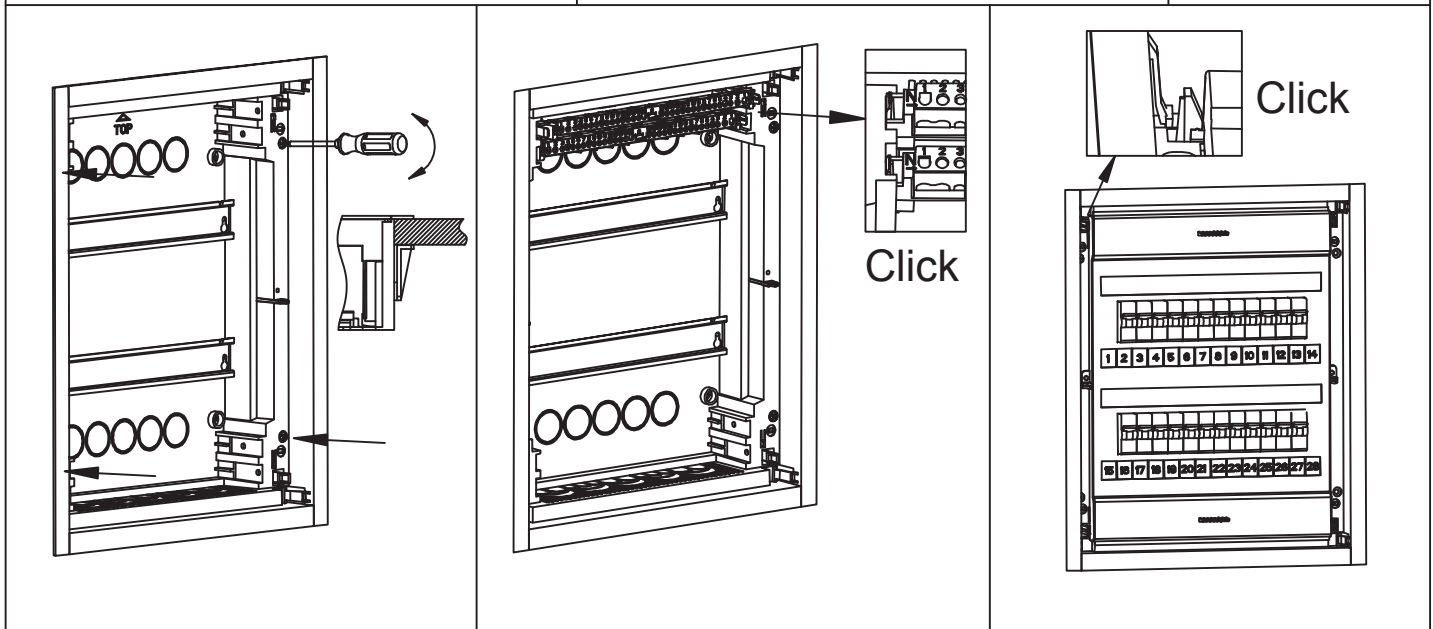
CODE	A [mm]	B [mm]	Pde [W]	T [°C]
CRTMRB20	343	314	25	(-15)-(60)
CRTMRB21	443	414	40	(-15)-(60)
CRTMRB22	568	539	55	(-15)-(60)
CRTMRB23	753	724	100	(-15)-(60)



Click

Click

TOP



Click

Click