

INSTALLATION MANUAL

airHome 400

SPLIT UNIT AIR CONDITIONER

OUTDOOR UNIT

RAC-DJ18WHAЕ
RAC-DJ25WHAЕ
RAC-DJ35WHAЕ
RAC-DJ50WHAЕ

EN INSTRUCTION MANUAL

FOR SERVICE

PERSONNEL ONLY

- Carefully read through the procedures of proper installation before starting installation work.
- The sales agent should inform customers regarding the correct operation of installation.

Tools Needed For Installation Work

- (Mark \odot is exclusive use tool for R410A, R32) \odot Screwdriver \odot Measuring Tape \odot Knife \odot Saw \odot ϕ 6.5mm Power Drill \odot Hexagonal Wrench Key (3.2, 4mm) \odot Wrench (14, 17, 19, 22mm) \odot Gas leakage Detector \odot PipeCutter \odot Putty \odot Vinyl Tape \odot Pliers \odot Flare Tool \odot Vacuum Pump Adapter \odot Manifold Valve \odot Charge Hose \odot Vacuum Pump



Access the full version of the User Installation Manual by scanning the code.

HITACHI

WARNING

- Please request your sales agent or qualified technician to install your unit. Water leakage, short circuit or fire may occur if you do the installation work yourself.
- Please observe the installation stated in the installation manual during the process of installation. Improper installation may cause water leakage, electric shock and fire.
- Make sure that the units are mounted at locations which are able to provide full support to the weight of the units. If not, the units may collapse and impose danger.
- Observe the rules and regulations of the electrical installation and the methods described in the installation manual when dealing with the electrical work. Use cables which are approved official in your country. Be sure to use the specified circuit. A short circuit and fire may occur due to the use of low quality wire or improper work.
- Be sure to use the specified cables for connecting the indoor and outdoor units. Please ensure that the connections are tight after the conductors of the wire are inserted into the terminals to prevent the external force is being applied to the connection section of the terminal base. Improper insertion and loose contact may cause over-heating and fire.
- Please use the specified components for installation work. Otherwise, the unit may collapse or water leakage, electric shock, fire or stronger vibration may occur.
- Be sure to use the specified piping set for R32. Otherwise, this may result in broken copper pipes or faults.
- When installing or transferring an air conditioner to another location, make sure that air other than the specified refrigerant (R32) does not enter the refrigeration cycle. If other air should enter, the pressure level of the refrigeration cycle may increase abnormally which could result in a rupture and injury.
- Never install a drier to this R32 unit in order to guarantee its lifetime.
- Be sure to ventilate fully if a refrigerant gas leak while at work. If the refrigerant gas comes into contact with fire, a poisonous gas may occur.
- After completion of installation work, check to make sure that there is no refrigeration gas leakage. If the refrigerant gas leaks into the room, coming into contact with fire in the fan-driven heater, space heater, etc., a poisonous gas may occur.
- Unauthorized modifications to the air conditioner may be dangerous. If a breakdown occurs please call a qualified air conditioner technician or electrician. Improper repairs may result in water leakage, electric shock and fire, etc.

CAUTION

- A circuit breaker must be installed in the house distribution box for the direct connected power supply cables to the outdoor unit. In case of other installations a main switch with a contact gap of more than 3mm has to be installed. Without a circuit breaker, the danger of electric shock exists.
- Do not install the unit near a location where there is flammable gas. The outdoor unit may catch fire if flammable gas leaks around it.
- Please ensure smooth flow of water when installing the drain hose. Improper installing may wet your furniture.
- An IEC approved power cord should be used. Power cord type: NYM.

THE CHOICE OF MOUNTING SITE

(Please note the following matters and obtain permission from customer before installation.)

WARNING

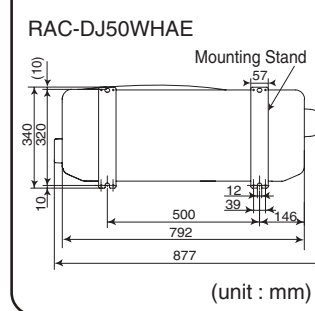
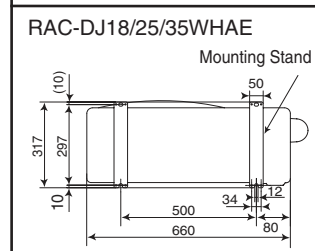
- The Outdoor unit must be mounted at a location which can support heavy weight. Otherwise, noise and vibration will increase.
- When finishing the refrigerant collection (pumping down), stop the compressor and then remove the coolant pipe. If you remove the refrigerant pipe while the compressor is operating and the service valve is released, air is sucked and a pressure in the freezing cycle system will build up steeply, causing an explosion or injury.

CAUTION

- Selecting the installation location: Suitable location that will reduce the impact from rain and direct sun that may affect the unit performance. Besides, ventilation must be good and clear of obstruction.
- The air blown out of the unit should not point directly to animals or plants.
- The clearances of the unit from top, left, right and front are specified in figure below. At least three of the above sides must be open air.
- Be sure that the hot air blown out of the unit and noise do not disturb the neighbourhood.
- Do not install at a location where there is flammable gas, steam, oil and smoke.
- The location must be convenient for water drainage.
- Place the Outdoor unit and its connecting cord at least 1m away from the antenna or signal line of television, radio or telephone. This is to avoid noise interference.

Figure showing the Installation of Outdoor Unit.

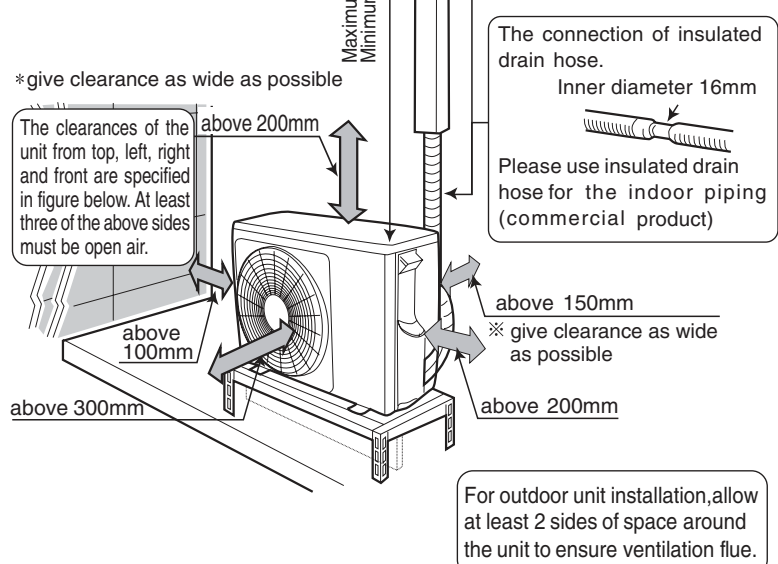
Dimension of Mounting Stand of the Outdoor unit



Names of Outdoor Components

No.	Item	Qty
①	Drain Pipe	1
②	Bush (RAC-DJ50WHAЕ)	2

- The refrigerating machine oil is easily affected by moisture. Use caution to prevent water from entering the cycle.
- The difference in height between the indoor and outdoor unit should be kept below 10m.
- The connecting pipe, no matter big or small, should all be insulated with insulation pipe and then wrapped with vinyl tape. (The insulator will deteriorate if it is not wrapped with tape).



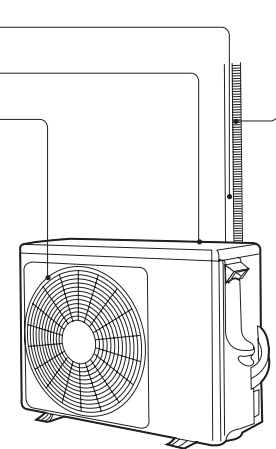
Drain hose
Drains the dehumidified water from the indoor unit to the outdoor during "cooling" or "dehumidifying" operation.

Piping and Wiring

Air inlets (Rear and left sides)

Air outlet
When "heating" operation is performed, cool air blows and when "cooling" or "dehumidifying" operation is performed, warm air blows.

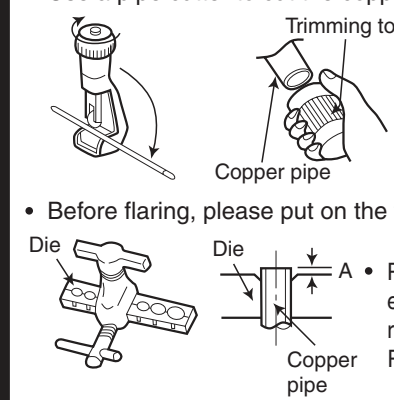
About the outdoor unit:
When "Stop" is selected during operation of the indoor unit, the fan of the outdoor unit continues turning for 10 to 60 seconds to cool the electric parts down.
In heating operation, condensate or water due to defrosting will flow. Do not cover the drain port of the outdoor unit because such water may freeze in the chilly area.
When the outdoor unit is hung on the ceiling, install the bush and drain pipe on the drain port and drain water.



INSTALLATION OF REFRIGERATING PIPES AND AIR REMOVAL

1 Preparation of Pipe

- Use a pipe cutter to cut the copper pipe and remove burr.



CAUTION

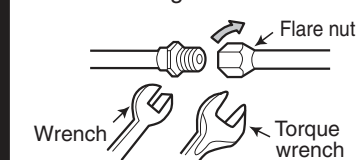
- Remove burr and jagged edge will cause leakage.
- Point the side to be trimmed downwards during trimming to prevent copper chips from entering the pipe.

2 Pipe Connection

CAUTION

- In case of removing flare nut of an indoor unit, first remove a nut of small diameter side, or a seal cap of big diameter side will fly out. Free from water into the piping when working.
- Be sure to tighten the flare nut to the specified torque with a torque wrench. If the flare nut is overtightened, the nut may be split after a long period has passed, and may cause a refrigerant leak.

- Please be careful when bending the copper pipe.
- Screw in manually while adjusting the center. After that, use a torque wrench to tighten the connection.



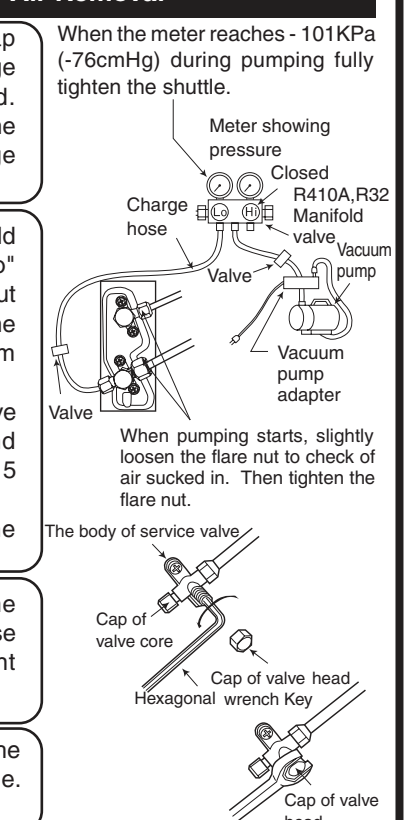
Outer Diameter (φ)	A (mm) Rigid Flaring Tool	
	For R410A/R32 tool	For R22 tool
6.35 (1/4")	0 - 0.5	1.0
9.52 (3/8")	0 - 0.5	1.0

	Outer diameter of pipe (φ)	Torque N·m (kgf·cm)
Small diameter side	6.35 (1/4")	13.7-18.6 (140 - 190)
Large diameter side	9.52 (3/8")	34.3-44.1 (350 - 450)
Valve head cap	Small diameter side	6.35 (1/4") 19.6-24.5 (200 - 250)
	Large diameter side	9.52 (3/8") 19.6-24.5 (200 - 250)
Valve core cap		12.3-15.7 (125 - 160)

3 Remove of Air From The Pipe And Gas Leakage Inspection

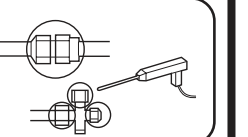
Procedures of using Vacuum Pump for Air Removal

- As shown in right figure, remove the cap of valve core. Then, connect the charge hose. Remove the cap of valve head. Connect the vacuum pump adapter to the vacuum pump and connect the charge hose to the adapter.
- Fully tighten the "Hi" shuttle of the manifold valve and completely unscrew the "Lo" shuttle. Run the vacuum pump for about 10-15 minutes, then completely tighten the "Lo" shuttle and switch off the vacuum pump.
- Loosen the spindle of the service valve with small diameter by 1/4 turn and tighten the spindle immediately after 5 to 6 seconds.
- Remove the charging hose from the service valve.
- Completely unscrew the spindle of the service valve (at 2 places) in anticlockwise direction to allow the flow of refrigerant (using Hexagonal Wrench key).
- Tighten the cap of valve head. Check the cap's periphery if there is any gas leakage. The task is then completed.



Gas leakage inspection

Please use gas leakage detector to check if leakage occurs at connection of Flare nut as shown on the right. If gas leakage occurs, further tighten the connection to stop leakage.



EE0018833N rev. 0-10/2023

WARNING

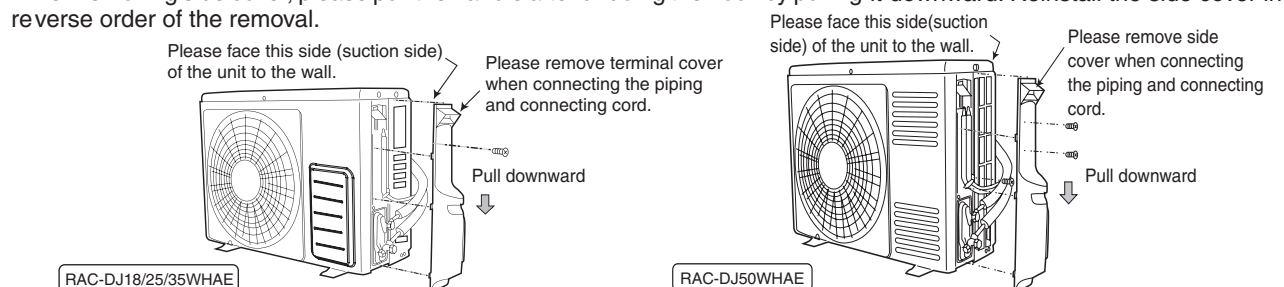
- Be sure to connect the earth line from the power supply wire to the outdoor unit and between the outdoor and indoor unit. Do not connect the earth line to the gas tube, water pipe, lightning rod or the earth line of the telephone unit. Improper earthing may cause electric shocks.
- When installing the unit, be sure to install the refrigerant pipe before starting the compressor. If the refrigerant pipe is not installed and the compressor is operated with the service valve released, air is sucked and the pressure level of the refrigeration cycle may increase abnormally which could result in a rupture and injury.
- The electric cables should neither be reworked nor added. Make sure to use an exclusive circuit breaker. Otherwise fire or electric shock might occur by connection failure, isolation failure or over current.
- Make sure to connect cables to terminal properly and terminal cover should close firmly. Otherwise, over heating at terminal contact, fire or electric shock might occur.
- Make sure that there is no dust on any connected points of electric cables and fix firmly. Otherwise, fire or electric shock might occur.

SAFETY PRECAUTION

- Read the safety precautions carefully before operating the unit.
- This appliance is filled with R32.

- The contents of this section are vital to ensure safety. Please pay special attention to the following sign.
 - WARNING** Incorrect methods of installation may cause death or serious injury.
 - CAUTION** Improper installation may result in serious consequence.
 - Make sure to connect earth line.**
 - This sign in the figures indicates prohibition.**
- Be sure that the unit operates in proper condition after installation. Explain to customer the proper operation and maintenance of the unit as described in the user's guide. Ask a customer to keep this installation manual together with the instruction manual.

- Please mount the Outdoor unit of stable ground to prevent vibration and increase of noise level.
- Decide the location for piping after sorting out the different types of pipe available.
- When removing side cover, please pull the handle after undoing the hook by pulling it downward. Reinstall the side cover in the reverse order of the removal.



- Do not touch the suction port, bottom surface, or aluminum fin of the outdoor unit. Failure to do so may cause an injury.

CONDENSED WATER DISPOSAL OF OUTDOOR UNIT

- There is holes on the base of Outdoor unit for condensed water to exhaust.
- In order to flow condensed water to the drain, the unit is installed on a stand or a block so that the unit is 100mm above the ground as shown figure. Join the drain pipe to one hole.
- After installation, check whether the drain pipe clings to the base firmly.

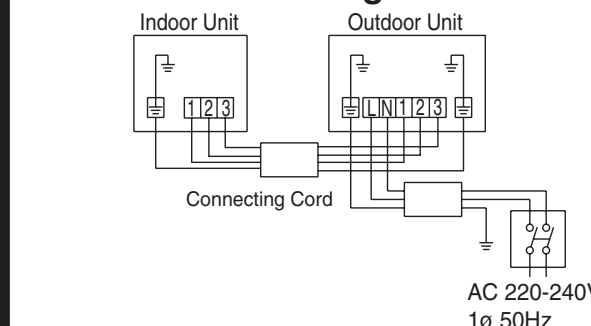


- Install the outdoor unit horizontally and make sure that condensate drains away.
- In case of using in chilly area. Especially, in case that there are many snows by very cold in chilly area, condensed water freezes on the base and may result not to drain. In this case, please remove the bush and the drain pipe at the bottom of unit. (Left and center near discharge portion of air, each 1 place). It becomes smooth drain. Ensure that the distance from the drain hole to the ground is 250 mm or more.

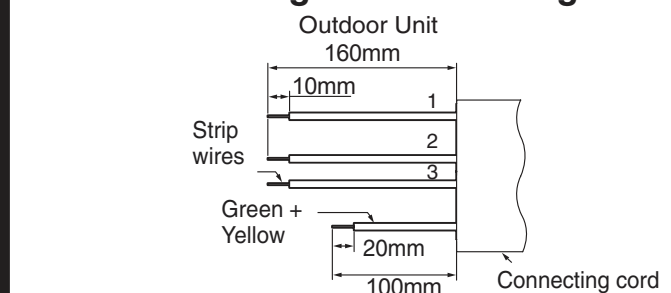
CONNECTION OF POWER CORD

WARNING THIS APPLIANCE MUST BE EARTHED.

Procedures of Wiring



Detail of Cutting the Connecting Cord



WARNING

- The naked part of the wire core should be 10mm fix it to the terminal tightly. Then try to pull the individual wire to check if the contact is tight. Improper insertion may burn the terminal.
- Be sure to use only wire specified for the use of air-conditioner.
- Please refer to the manual for wire connection and the wiring technique should meet the standard of the electrical installation.
- There is an AC voltage drop between the LN terminal if the power is on. Therefore, be sure to remove the plug from its socket.
- When the fuse (F5 or F6) has been blown out by the improper connection of power cable, it can be restored by exchanging the fuse (service part No.HWRAC-25WXD A11) Please exchange the blown-out fuse after making sure the right connection.

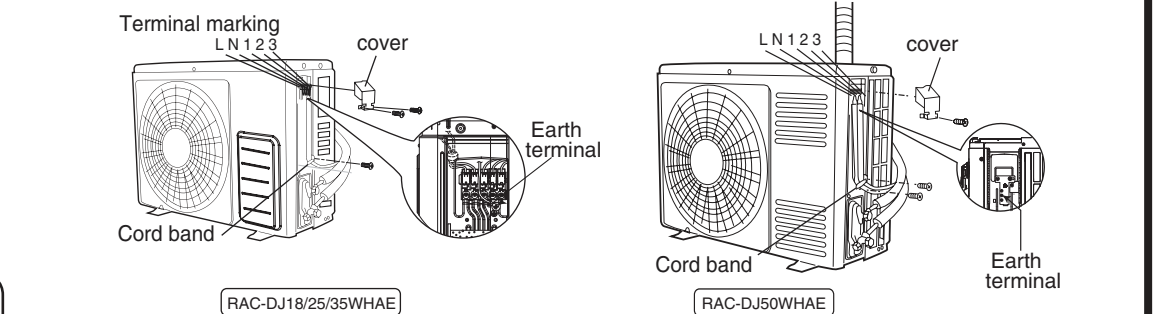
- Leave some space in the connecting cord for maintenance purpose and be sure to secure it with the cord band.
- Secure the connecting cord along the coated part of the wire using the cord band. Do not exert pressure on the wire as this may cause overheating or fire.

Wiring of the Outdoor Unit

- Please remove the side cover for wire connection.
- If you cannot attach the side plate due to the connection cord, please press the connecting cord in the direction to the front panel to fix it.
- Be sure that the hooks of the side cover fixed in certainly. Otherwise water leakage may occur and this causes short circuit or faults.
- The connecting cord should not touch to service valve and pipes. (it becomes high temperature in heating operation.)

Checking for the electric source and the voltage range

- Before installation, the power source must be checked and necessary wiring work must be completed. To make the wiring capacity proper, use the wire gauge list below for the wiring from house distribution fuse box to the outdoor unit in consideration of the blocked rotor current.



- Investigate the power supply capacity and other electrical conditions at the installing location. Depending on the model of room air conditioner to be installed, request the customer to make arrangements for the necessary electrical work etc. The electrical work includes the wiring work up the outdoor unit. In localities where electrical conditions are poor, use of a voltage regulation is recommended.
- Install outdoor for the room air conditioner within the reaching range of the line cord.

Model	Circuit Breaker	FOR(Connecting cord-1,2,3,Earth)		FOR(power cord-L,N,Earth)	
		Model	Wire length	Model	wire cross-section
RAC-DJ18WHAЕ	13A	RAC-DJ18WHAЕ	up to 20m	RAC-DJ18WHAЕ	2.5mm ²
RAC-DJ25WHAЕ		RAC-DJ25WHAЕ			
RAC-DJ35WHAЕ		RAC-DJ35WHAЕ			
RAC-DJ50WHAЕ	20A	RAC-DJ50WHAЕ	up to 20m	RAC-DJ50WHAЕ	2.5mm ²

FINAL STAGE OF INSTALLATION

Power Source And Operation Test

Power Source

WARNING

- Never remodel the power plug nor extend the long-distance cord.
- Keep additional length for the power cord and do not render the plug under external force as this may cause poor contact.
- Do not fix the power cord with U-shape nail.
- The power cable easily generates heat. Do not bring the cable together with a wire or vinyl tie.

Operation test

- Please be sure to measure the supply voltage before operation test.
- Please ensure that the air conditioner is in normal operating condition during the operation test.
- Operate with Cooling Mode(in summer) or Heating Mode(in winter).
- Press Temperature Button on the remote controller to set the desired temperature to 16.0°C for Cooling Mode or 32.0°C for Heating Mode. Set the desired fan speed to "High".
- Operate the air conditioner for 20 minutes at least and make sure that the air from the air conditioner is cool or warm.
- Press On/Off Button on the remote controller and make sure that the air conditioner stops the operation.
- If the indication lamps of the indoor unit flash with sounding of the buzzer during the operation test, perform a check following the procedures below.

Indication lamps flashing mode	What to check
All indication lamps flash three times repeatedly.	Make sure that the spindles of both service valves are open. (Outdoor fan might operate for near 15 minutes after the operation stop for the protection. For the reoperation at that case, do it after outdoor fan will stop.)

- Before the check and the reoperation, reset the power supply by turning off and on the circuit breaker only after
- waiting for at least 5 minutes; or
- pressing the Temporary Switch Button only once while the power is OFF.

CAUTION

- Don't operate for over 5 minutes with the situation that the spindle of the service valve is closed. This will cause the defect.
- Don't operate by Cool Mode or Dry Mode with the door and windows opened, (the room humidity is always above 80%) for a long period of time. Water will condense and drip down occasionally. This will wet your furniture.
- Explain to your customer the proper operation procedures as described in the user's manual.
- If the indoor unit won't operate, check the cable for correct connection.
- Turn on the lamp in the room where the indoor unit is installed and check the remote controller for normal operation.

Refrigerant				
MODEL	Refrigerant (kg)	GWP	t CO ₂ eq.	
RAC-DJ18WHAЕ	R32:0.580	675	0.392	
RAC-DJ25WHAЕ	R32:0.720	675	0.486	
RAC-DJ35WHAЕ	R32:0.930	675	0.628	

INSTALLATION-SANLEITUNG

air Home

400

- SPLIT-KLIMAANLAGE

AUSSENGERÄT
 RAC-DJ18WHAЕ
 RAC-DJ25WHAЕ
 RAC-DJ35WHAЕ
 RAC-DJ50WHAЕ



DE BEDIENUNGSANLEITUNG

NUR FÜR
 WARTUNGSPERSONAL

- Lesen Sie die Installationsanleitung sorgfältig durch, ehe Sie mit dem Einbau beginnen.
- Kunden sollten von ihrem Händler über die korrekte Vorgehensweise zur Installation informiert werden.

Für die Installation benötigte Werkzeuge

- (Kennzeichnung wird exklusiv für R410A, R32 verwendet)
- Schraubendreher • Maßband • Messer
- Säge Bohrmaschine mit Lochsäge \varnothing 65 mm • Inbusschlüssel (\pm 4 mm) • Schraubenschlüssel (14, 17, 19, 22 mm) • Gasdetektor • Rohrschneider • Abdichtkit • Vinylklebeband • Zange • Bördelwerkzeug • Vakuumpumpenadapter • Verteilerventil • Füllschlauch • Vakuumpumpe



Durch Scannen des Codes erhalten Sie Zugriff auf die Vollversion des Benutzer-Installationshandbuchs.

Kühlen und Heizen

EE0018833N rev. 0-10/2023

⚠️ WARNUNG

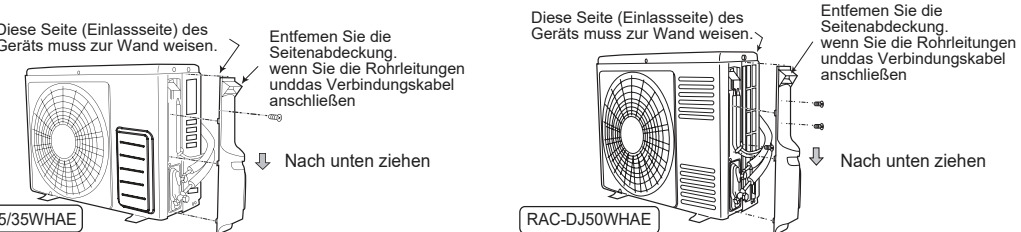
- Stellen Sie sicher, dass der Erdungsleiter des Stromversorgungs Kabels am Außengerät angeschlossen wird sowie eine Erdung zwischen Außen- und Innengerät besteht. Verbinden Sie das Erdungskabel nicht mit Wasser- oder Gasleitungen, Blitzableitern oder dem Erdungskabel des Telefons. Unsachgemäße Erdung kann zu Stromschlägen führen.
- Wenn Sie das Gerät installieren, müssen Sie das Kältemittelrohr vor der Inbetriebnahme des Kompressors installieren. Sollte die Kältemittelleitung nicht installiert sein, wenn der Kompressor in Betrieb ist und das Wartungsventil freigeschaltet ist, kann ein anomaler Druck im Kühlkreislauf aufgebaut werden, der zu Rissen oder Verletzungen führen kann.
- Die Elektroarbeiten dürfen weder modifiziert noch eigenmächtig installiert werden. Stellen Sie sicher, dass ein separater Trennschalter verwendet wird. Andernfalls besteht das Risiko von Stromschlägen oder Brandgefahr durch einen Verbindungsdefekt, Isolationsfehler oder Überstrom.
- Stellen Sie sicher, dass die Kabel ordnungsgemäß an die Klemmenleiste angeschlossen sind und die Klemmenkontakte fest schließen. Andernfalls besteht das Risiko von Stromschlägen oder Brandgefahr durch Überhitzung der Klemmenkontakte.
- Stellen Sie sicher, dass die Anschlussstellen der Elektrokabel frei von Staub sind und festsetzen. Andernfalls besteht das Risiko von Stromschlägen oder Brandgefahr.

SICHERHEITSHINWEISE

- Lesen Sie die folgenden Sicherheitshinweise sorgfältig durch, bevor Sie das Gerät in Betrieb nehmen.
- Dieses Gerät ist mit R32 gefüllt.

- Die Inhalte dieses Abschnitts sind für die Gewährleistung der Sicherheit unerlässlich. Achten Sie besonders auf die folgenden Symbole:
 - ⚠️ **WARNUNG** Ein falsches Vorgehen bei der Installation kann schwere oder tödliche Verletzungen zur Folge haben.
 - 🚫 **VORSICHT** Eine unsachgemäße Installation kann schwerwiegende Folgen haben.
 - 🔌 **Stellen Sie sicher, dass das Erdungskabel angeschlossen ist.**
 - 🚫 **Dieses abgebildete Symbol weist auf ein Verbot hin.**
- Überprüfen Sie den ordnungsgemäßen Betrieb des Geräts nach der Installation. Erklären Sie dem Kunden den ordnungsgemäßen Betrieb und die korrekte Wartung des Geräts entsprechend dem Benutzerhandbuch. Bitten Sie den Kunden, diese Installationsanleitung zusammen mit der Bedienungsanleitung aufzubewahren.

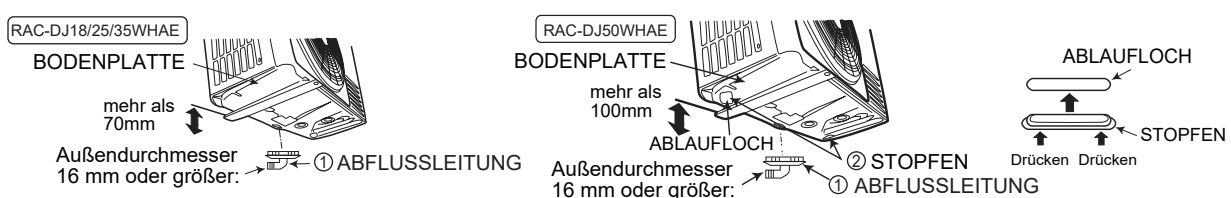
- Stellen Sie das Außengerät auf stabilem Untergrund auf, um Vibrationen und eine Zunahme des Geräuschpegels zu verhindern.
- Legen Sie die Rohrführung fest, nachdem Sie die verschiedenen Arten von verfügbaren Rohren ausgesucht haben.
- Ziehen Sie beim Abnehmen der Seitenabdeckung den Haken nach unten, und ziehen Sie dann am Griff. Installieren Sie die Seitenabdeckung wieder in umgekehrter Reihenfolge wie beim Abnehmen.



- **VORSICHT** • Berühren Sie nicht den Sauganschluss, die untere Fläche oder die Aluminiumlamellen des Außengeräts, da dies zu Verletzungen führen kann.

KONDENSWASSERBESEITIGUNG DES AUSSENGERÄTS

- In der Bodenplatte des Außengeräts befinden sich Löcher, damit Kondenswasser ablaufen kann.
- Damit Kondenswasser in den Abfluss laufen kann, wird das Gerät auf einem Ständer oder Block installiert, sodass sich das Gerät 100 mm über dem Boden befindet, wie in der Abbildung gezeigt. Montieren Sie die Abflussleitung an einem Loch.
- Überprüfen Sie nach der Installation, ob die Abflussleitung fest in der Bodenplatte sitzt.



- Installieren Sie das Außengerät horizontal und stellen Sie sicher, dass das Kondenswasser abfließt.
- Bei einem Einsatz in kalten Umgebungen mit eventuell viel Schnee kann das Kondenswasser an der Bodenplatte gefrieren und den Ablauf verhindern. In diesem Fall entfernen Sie den Stopfen und die Abflussleitung an der Unterseite des Geräts. (Jeweils links und mittig in der Nähe der Abluftöffnung.) Der Ablauf wird erreicht. Stellen Sie sicher, dass die Entfernung zwischen dem Ablaufloch und dem Untergrund 250 mm oder mehr beträgt.

HITACHI

⚠️ WARNUNG

- Beauftragen Sie Ihren Händler oder einen qualifizierten Techniker für die Installation des Geräts. Wenn Sie das Gerät selbst installieren, kann es zu Wasserlecks, Kurzschlüssen oder einem Brand führen.
- Beachten Sie bei der Installation die Anweisungen im Installationshandbuch. Eine unsachgemäße Installation kann zu Wasserlecks, Stromschlägen und einem Brand führen.
- Stellen Sie sicher, dass die Geräte nur an Stellen montiert werden, die das Gerätgewicht vollständig tragen können. Andernfalls könnten die Geräte herunterfallen und eine Gefahr darstellen.
- Beachten Sie bei allen elektrischen Arbeiten die Vorschriften zur Elektroinstallation sowie die im Installationshandbuch beschriebenen Methoden. Verwenden Sie nur in Ihrem Land zugelassene Kabel. Verwenden Sie ausschließlich den vorgesehenen Stromkreis. Bei der Verwendung von Kabeln mit minderer Qualität oder bei unsachgemäßer Arbeit kann es zu Kurzschlüssen oder Brand kommen.
- Verwenden Sie die vorgegebenen Kabel, um das Innengerät mit dem Außengerät zu verbinden. Stellen Sie sicher, dass alle Anschlüsse festhalten, nachdem die Leiter des Kabels mit den entsprechenden Anschlussklemmen verbunden wurden, damit keine äußeren Kräfte auf den Leitungsanschlussschnitt der Anschlussleiste einwirken. Ein nicht ordnungsgemäßer Anschluss oder lockere Kontakte können Überhitzung und Feuer zur Folge haben.
- Verwenden Sie die angegebenen Komponenten für die Installationsarbeiten. Andernfalls kann das Gerät herunterfallen, oder es kann zu einem Wasserleck, Stromschlag oder Brand kommen.
- Verwenden Sie ausschließlich die angegebenen Leitungen für R32. Die Verwendung anderer Leitungen kann Defekte an den Kupferleitungen oder Störungen zur Folge haben.
- Bei der Installation oder beim Transport einer Klimaanlage an einen anderen Ort muss sichergestellt werden, dass ausschließlich das vorgegebene Kältemittel (R32) in den Kühlkreislauf gelangt. Wenn Luft in den Kreislauf gelangt, kann sich der Druckpegel des Kühlkreislaufs anomal erhöhen, wodurch es zu Rissen und Verletzungen kommen kann.
- Installieren Sie niemals einen Trockner an dieser R32-Einheit, um deren Lebensdauer zu gewährleisten.
- Sorgen Sie für eine gute Belüftung, falls ein Kältemittelleck während der Arbeit auftritt. Bei Kontakt von Kältemittelgas mit Feuer können giftige Dämpfe entstehen.
- Vergewissern Sie sich nach Abschluss der Installation, dass kein Kältemittelleck vorhanden ist. Falls Kältemittel in den Raum austritt und mit Feuer in Kontakt kommt (z. B. durch Heizlüfter oder Gasheizgebläse) können giftige Dämpfe entstehen.
- Nicht autorisierte Veränderungen an der Klimaanlage können gefährlich sein. Im Falle einer Funktionsstörung wenden Sie sich an einen Techniker oder Elektriker, der für die Installation und Wartung von Klimaanlage qualifiziert ist. Unsachgemäße Reparaturarbeiten können zu Wasserlecks, Stromschlägen, Brand usw. führen.

⚠️ VORSICHT

- Im Verteilerkasten des Hauses muss ein Trennschalter für das direkt angeschlossene Stromversorgungs-kabel zum Außengerät installiert sein. Bei anderen Installationen muss ein Hauptschalter mit einem Kontaktabstand von mindestens 3 mm installiert werden. Ohne Trennschalter besteht Stromschlaggefahr.
- Installieren Sie das Gerät nicht in der Nähe von Orten, an denen sich entzündbare Gase befinden. Das Außengerät kann in Brand geraten, wenn entzündbare Gase in seiner Nähe entweichen.
- Stellen Sie bei der Installation des Abflussschlauchs einen gleichmäßigen Wasserfluss sicher. Eine unsachgemäße Installation kann dazu führen, dass das Mobiliar nach wird.
- Ein IEC-zugelassenes Netzkabel muss verwendet werden. Netzkabeltyp: NYM.

WAHL DES MONTAGEORTS

(Beachten Sie die folgenden Punkte und holen Sie die Genehmigung des Kunden ein, ehe Sie mit der Installation beginnen).

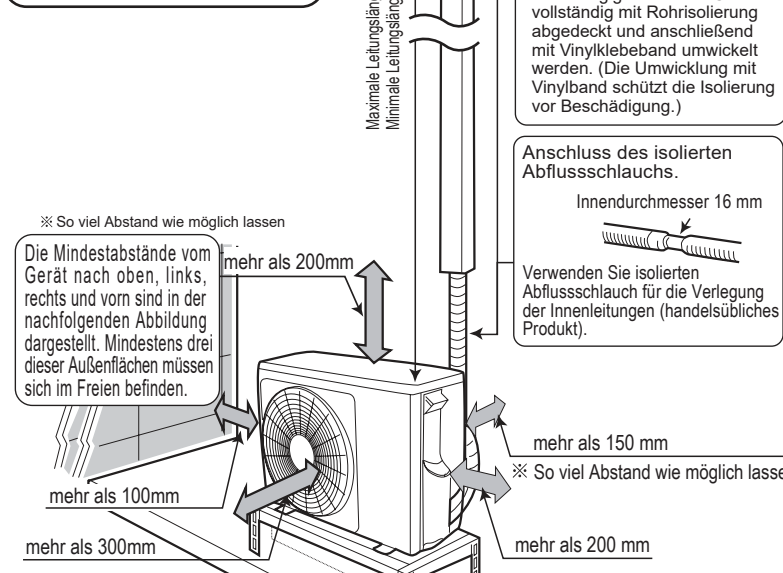
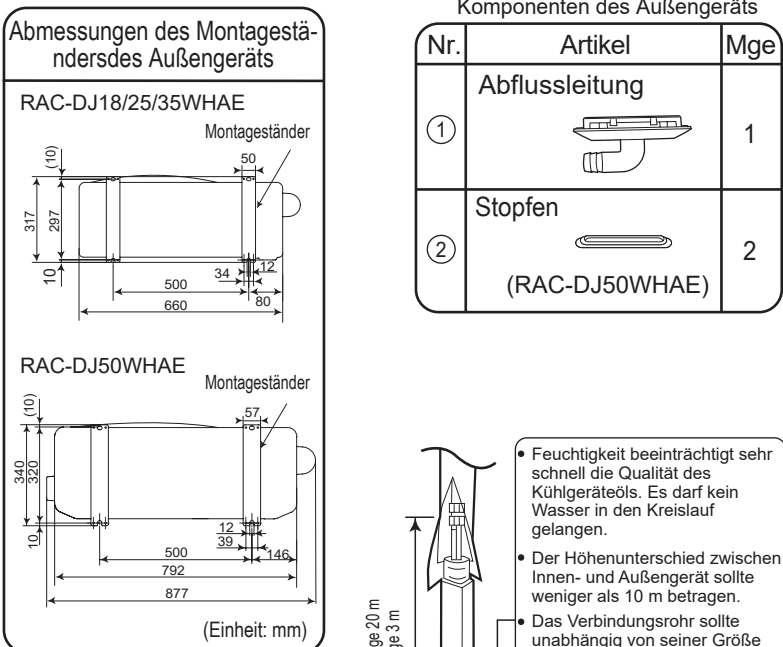
⚠️ WARNUNG

- Das Außengerät muss an einer Stelle montiert werden, die das hohe Gewicht tragen kann. Andernfalls verstärken sich Geräusche und Vibrationen.
- Wenn Sie das Sammeln von Kältemittel (Abpumpen) beenden, stoppen Sie den Kompressor und entfernen dann das Kältemittelrohr. Sollten Sie die Kältemittelleitung entfernen, während der Kompressor in Betrieb ist und das Wartungsventil freigeschaltet ist, wird Luft angesaugt und sehr schnell ein hoher Druck im Gefrierkreislaufsystem aufgebaut, der zu einer Explosion oder zu Verletzungen führen kann.

⚠️ VORSICHT

- Auswahl des Installationsorts: Ein geeigneter Installationsort bietet guten Schutz vor Regen und direkter Sonneneinstrahlung - Faktoren, die unter Umständen die Systemleistung beeinträchtigen können. Darüber hinaus ist eine gute und hindernisfreie Belüftung erforderlich.
- Die vom Gerät abgegebene Luft sollte nicht direkt auf Tiere oder Pflanzen gerichtet sein.
- Die Mindestabstände vom Gerät nach oben, links, rechts und vorn sind in der nachfolgenden Abbildung dargestellt. Mindestens drei dieser Außenflächen müssen sich im Freien befinden.
- Achten Sie darauf, dass die vom Gerät abgegebene Warmluft und Geräusche keine Nachbarn stören.
- Installieren Sie das Gerät nicht an einer Stelle, an der entzündliche Gase, Dampf, Öl oder Rauch auftreten.
- Der Standort muss so beschaffen sein, dass Wasser problemlos abgelenkt werden kann.
- Positionieren Sie das Außengerät und sein Verbindungskabel in einem Abstand von mindestens 1 m von Antennen- oder Signalleitungen von Fernsehgeräten, Radios oder Telefonen. Dadurch werden elektrische Störungen vermieden.

Installation des Außengeräts (Abbildung)



Abflussschlauch
 Führt Wasser im Kühl- oder Entfeuchterbetrieb vom Innengerät ab.

Verdrahtung und Verrohrung
Lufteinlässe (Rückseite und links)
Luftauslass
 Gibt im Heizungsbetrieb kalte Luft und im Kühl- oder Entfeuchterbetrieb warme Luft ab.

Info zum Außengerät:

- Wenn während des Betriebs des Innengeräts „STOP“ gewährt wird, dreht sich das Gebläse des Außengeräts noch 10 bis 60 Sekunden weiter, um die elektrischen Komponenten zu kühlen.
- Während des Heizbetriebs bildet sich Kondenswasser aufgrund des Entfrosvorgangs. Verdecken Sie nicht die Abflussöffnung des Außengeräts, da das Wasser ansonsten in kalten Umgebungen gefrieren könnte.
- Wenn das Außengerät an der Decke angebracht ist, installieren Sie einen Stopfen und ein Abflussrohr an der Abflussöffnung, um das Wasser abzuführen.

INSTALLATION UND ENTLÜFTEN DER KÜHLLEITUNG

1 Vorbereitung der Rohrleitung

• Schneiden Sie die Kupferleitung mit einem Rohrschneider zu und entfernen Sie den Grat.

⚠️ VORSICHT

- Grat entfernen, da raue, scharfe Kanten zu Undichtigkeiten führen.
- Halten Sie die bearbeitete Seite beim Entgraten nach unten, damit keine Kupferspäne in die Rohrleitung gelangen.

• Setzen Sie vor dem Bördeln die Konusmutter auf.

• Verwenden Sie das Spezialwerkzeug für Kältemittel R410A, R32.

Außendurchmesser (Ø)	A (mm) Bördelwerkzeug	Werkzeug für R410A, R32	Werkzeug für R22
6,35 (1/4")	0 - 0,5	1,0	
9,52 (3/8")	0 - 0,5	1,0	

2 Rohrleitungsanschluss

⚠️ VORSICHT

- Beim Entfernen der Konusmutter eines Innengeräts muss zuerst eine Mutter auf der Seite mit dem kleinen Durchmesser entfernt werden, sonst springt eine Dichtungskappe auf der Seite mit dem großen Durchmesser ab. Während der Arbeit darf kein Wasser in die Rohrleitung gelangen.
- Ziehen Sie die Konusmutter mit einem Drehmomentschlüssel an. Achten Sie dabei auf das richtige Drehmoment. Bei zu festem Anziehen der Konusmutter kann diese nach längerer Zeit brechen und ein Kältemittelleck zur Folge haben.

• Gehen Sie beim Biegen des Kupferrohrs vorsichtig vor.

• Schrauben Sie die Schrauben manuell ein, während Sie die Mitte einstellen. Ziehen Sie die Verbindung anschließend mit einem Drehmomentschlüssel fest.

Seite mit kleinem Durchmesser	Außendurchmesser von Rohr (ø)	Drehmoment Nm (kgf·cm)
Seite mit kleinem Durchmesser	6,35 (1/4")	13,7-18,6 (140 - 190)
Seite mit großem Durchmesser	9,52 (3/8")	34,3-44,1 (350 - 450)

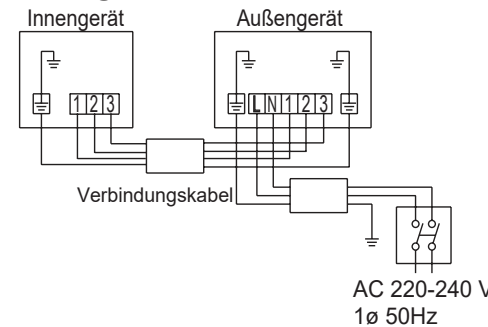
Kappe für den Ventilkopf	Seite mit kleinem Durchmesser	Außendurchmesser von Rohr (ø)	Drehmoment Nm (kgf·cm)
Seite mit kleinem Durchmesser	6,35 (1/4")	19,6-24,5 (200 - 250)	
Seite mit großem Durchmesser	9,52 (3/8")	19,6-24,5 (200 - 250)	

Ventilkernkappe: 12,3-15,7 (125 - 160)

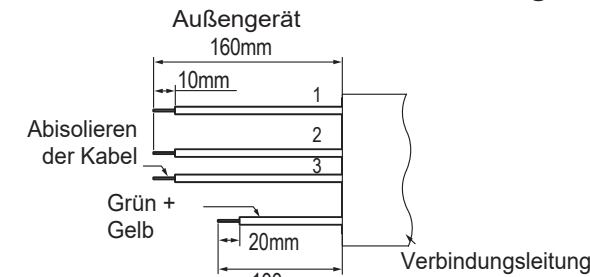
ANSCHLUSS DES NETZKABELS

⚠️ WARNUNG • DIESES GERÄT MUSS GEERDET WERDEN.

Verkabelungsmethoden



Hinweis zum Schneiden des Verbindungskabels



⚠️ WARNUNG

- Entfernen Sie 10 mm der Kabelisolierung und befestigen Sie die Drahtseele fest an der Klemme. Ziehen anschließend an der Kabelader, um einen festen Kontakt sicherzustellen. Eine unsachgemäße Befestigung kann einen Klemmenbrand zur Folge haben.
- Verwenden Sie nur für den Betrieb von Klimaanlage geeignetes Kabel.
- Beachten Sie für die Verkabelung das Handbuch. Die Verdrahtungstechnik muss den Normen für Elektroinstallationen entsprechen.
- Bei eingeschalteter Stromversorgung gibt es einen Wechselspannungsabfall zwischen den Klemmen L und N. Stellen Sie daher sicher, dass Sie den Stecker aus der Steckdose gezogen haben.
- Wenn die Sicherung (F5 oder F6) durch einen falschen Anschluss des Stromkabels durchgebrannt ist, kann sie durch Austausch wiederhergestellt werden (Wartungsteilnr. HWRAC-25WXD A11). Wechseln Sie die durchgebrannte Sicherung aus, nachdem Sie das Kabel korrekt angeschlossen haben.

3 Entlüften der Rohrleitung und Prüfen auf Gaslecks

Verwendung der Vakuumpumpe zum Entlüften

- Entfernen Sie die Kappe wie in der Abbildung rechts gezeigt vom Ventilern. Schließen Sie d anach den Füllschlauch an. Entfernen Sie die Kappe vom Ventilkopf. Verbinden Sie den Vakuumpumpenadapter mit der Vakuumpumpe und schließen Sie den Füllschlauch an den Adapter an.
 - Drehen Sie das Ventil mit der Kennzeichnung „H“ des Verteilerventils ganz zu und öffnen Sie das Ventil mit der Kennzeichnung „Lo“ vollständig. Lassen Sie die Vakuumpumpe etwa 10 bis 15 Minuten lang laufen. Drehen Sie anschließend das Ventil mit der Kennzeichnung „Lo“ ganz zu und schalten Sie die Vakuumpumpe aus.
 - Lösen Sie die Spindel des Wartungsventils mit kleinem Durchmesser durch eine Viertelumdrehung und ziehen Sie die Spindel anschließend nach 5 bis 6 Sekunden wieder fest.
 - Entfernen Sie den Füllschlauch vom Wartungsventil.
- Drehen Sie die Spindel des Wartungsventils (an 2 Stellen) entgegen dem Uhrzeigersinn vollständig auf, damit das Kältemittel fließen kann (verwenden Sie dazu einen Inbusschlüssel).
- Ziehen Sie die Kappe am Ventilkopf fest. Stellen Sie sicher, dass im Umfeld der Kappe keine Gaslecks vorhanden sind. Das Entlüften ist damit abgeschlossen.

Prüfen auf Gaslecks

Prüfen Sie wie rechts abgebildet mit einem Gasleckdetektor, ob Gas an der Konusmutterverbindung austritt. Wenn Gas austritt, ziehen Sie die Verbindung weiter fest, um das Leck zu beseitigen.

⚠️ WARNUNG

- Lassen Sie zu Wartungszwecken beim Verbindungskabel etwas Spiel und sorgen Sie dafür, dass das Kabel mit einem Kabelbinder gesichert ist.
- Befestigen Sie das Verbindungskabel an der Kabelisolierung mithilfe eines Kabelbinders. Üben Sie keinen Druck auf das Kabel aus, da dies zu Überhitzung oder Brand führen kann.

Verkabelung des Außengeräts

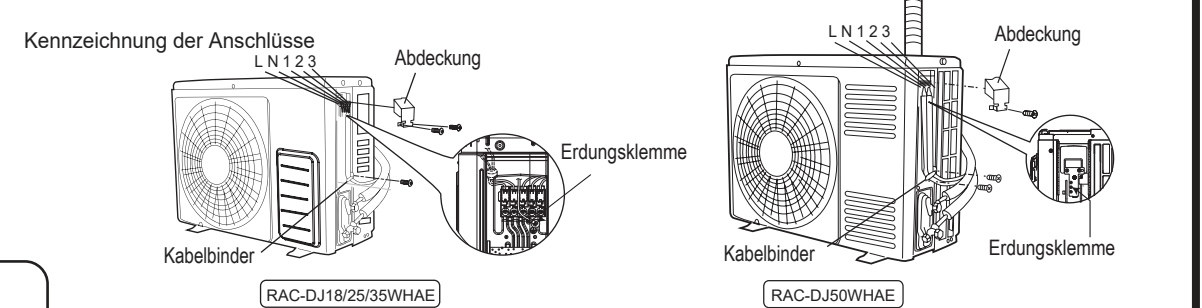
- Nehmen Sie für den Kabelanschluss die Seitenabdeckung ab.

⚠️ WARNUNG

- Wenn Sie die Seitenabdeckung aufgrund des Verbindungskabels nicht anbringen können, drücken Sie das Kabel zur Vorderseite, um die Abdeckung zu befestigen.
- Achten Sie darauf, dass die Haken der Seitenabdeckung festsetzen. Andernfalls kann es zu Wasserlecks kommen, die Kurzschlüsse oder Fehlfunktionen verursachen können.
- Das Verbindungskabel darf nicht mit Wartungsventilen und Rohren in Berührung kommen. (Sie werden beim Heizbetrieb sehr heiß.)

Überprüfen der Stromversorgung und des Spannungsbereichs

- Vor der Installation ist die Stromversorgung zu überprüfen, und die erforderliche Verkabelung muss abgeschlossen sein. Zur Auswahl der geeigneten Kabelabartbarkeit verwenden Sie die Liste unten mit den Kabeldurchmessern für die Verkabelung vom Sicherungskasten der Hausverteilung zum Außengerät unter Berücksichtigung des Anzugstroms.



- Überprüfen Sie die Leistung der Stromversorgung und andere elektrische Bedingungen am Installationsort. Bitten Sie den Kunden je nach Modell der zu installierenden Raumklimaanlage, Vorbereitungen für die notwendigen Elektroarbeiten usw. zu treffen. Zu den Elektroarbeiten gehört auch die Verkabelung des Außengeräts. In Gebieten mit unzuverlässiger Stromversorgung ist der Gebrauch einer Spannungsregulierung empfehlenswert.
- Installieren Sie das Außengerät der Raumklimaanlage in Reichweite des Netzkabels.

WICHTIG		FÜR (Verbindungskabel - 1, 2, 3, Erde)		FÜR (Netzkabel - L, N, Erdung)	
Modell	Trennschalter	Modell	Kabellänge	Modell	Leiterquerschnitt
RAC-DJ18WHAЕ	13A	RAC-DJ18WHAЕ	bis 20m	RAC-DJ18WHAЕ	2.5mm ²
RAC-DJ25WHAЕ		RAC-DJ25WHAЕ	bis 20m	RAC-DJ25WHAЕ	2.5mm ²
RAC-DJ35WHAЕ		RAC-DJ35WHAЕ	bis 20m	RAC-DJ35WHAЕ	2.5mm ²
RAC-DJ50WHAЕ	20A	RAC-DJ50WHAЕ	bis 20m	RAC-DJ50WHAЕ	2.5mm ²

ABSCHLUSS DER INSTALLATION

Stromversorgung und Betriebstest

Stromversorgung

⚠️ WARNUNG

- Weder dürfen Sie das Netzkabel modifizieren, noch das lange Kabel zusätzlich verlängern.
- Behalten Sie zusätzliche Kabellänge als Reserve für das Netzkabel und achten Sie darauf, dass keine Kraft von außen auf den Stecker einwirkt, da dies den Kontakt beeinträchtigen kann.
- Befestigen Sie das Netzkabel nicht mit Klammern.
- Das Netzkabel wird schnell warm. Umwickeln Sie das Kabel daher nicht mit Vinylklebeband o. ä.

Betriebstest

- Messen Sie vor dem Funktionstest unbedingt die Versorgungsspannung.
- Vergewissern Sie sich, dass sich die Klimaanlage beim Funktionstest im Normalbetrieb befindet.

- Im Kühlmodus (Sommer) oder im Heizmodus (Winter) betreiben.
- Drücken Sie die Temperaturtaste auf der Fernbedienung, um die gewünschte Temperatur auf 16,0 °C für den Kühlmodus bzw. 32,0 °C für den Heizmodus einzustellen.
- Lassen Sie die Klimaanlage mindestens 20 Minuten lang laufen und vergewissern Sie sich, dass kalte bzw. warme Luft aus der Klimaanlage kommt.

- Drücken Sie die Ein/Aus-Taste auf der Fernbedienung und vergewissern Sie sich, dass die Klimaanlage den Betrieb einstellt.
- Wenn während des Funktionstests die Anzeigeleuchten des Innengeräts blinken und ein Signalton erklingt, führen Sie wie nachstehend beschrieben eine Prüfung durch

Blinkmodus der Anzeigeleuchten	Zu prüfen
Alle Anzeigeleuchten blinken wiederholt drei Mal.	Vergewissern Sie sich, dass die Spindel beider Wartungsventile geöffnet sind. (Nach dem Ausschalten kann der Außereifer zum Schutz fest 15 Minuten lang weiterlaufen. Führen Sie die Nacharbeit in diesem Fall erst dann durch, wenn der Außereifer angehalten hat.)

- Setzen Sie vor Prüfung und Nacharbeit die Stromversorgung zurück, indem Sie den Trennschalter erst aus- und wieder einschalten, nachdem Folgendes ausgeführt wurde
- Sie warten zunächst mindestens 5 Minuten; oder
- Sie drücken bei ausgeschaltetem Gerät nur einmal den manuellen Ein-/Aussschalter.

⚠️ VORSICHT

- Lassen Sie das Gerät nicht länger als 5 Minuten laufen, wenn die Spindel des Wartungsventils geschlossen ist. Andernfalls kommt es zu einem Defekt des Geräts.
- Betreiben Sie das Gerät nicht längere Zeit bei offener Tür und geöffneten Fenstern (konstante Luftfeuchtigkeit im Raum mehr als 80 %) im Kühl- oder Trocknungsmodus. Wasser kondensiert und tropft gelegentlich herunter. Dadurch kann Ihre Einrichtung feucht werden.
- Erklären Sie dem Kunden anhand der Beschreibung aus der Bedienungsanleitung die ordnungsgemäße Handhabung des Geräts.
- Wenn das Innengerät nicht funktioniert, prüfen Sie, ob das Kabel ordnungsgemäß angeschlossen ist.
- Schalten Sie die Betriebsanzeige in dem Raum ein, in dem das Innengerät installiert ist, und überprüfen Sie den normalen Betrieb an der Fernbedienung.

KÜHLMITTELINFORMATION

Kühlmittel

MODELL	Kühlmittel (kg)	PRP	t CO2 eq.
RAC-DJ18WHAЕ	R32:0.580	675	0.392
RAC-DJ25WHAЕ	R32:0.720	675	0.486
RAC-DJ35WHAЕ	R32:0.930	675	0.628